

iTDC Series

ACCESS CONTROL PANEL (2 - 4 Doors)

iTDC 2-Door Access Control Panel is IDTECK's Highest Demanded Control Panel which expandable up to 4 Doors using the EIO88 Expansion Board giving the iTDC 4-Door Controller a total of 15 Inputs and 15 Outputs. The iTDC was designed for small-sized to mid-sized scale solutions. It has various methods of communication ranging from RS232 to RS422, with optional TCP/IP Module, IIM100.

Some key features that IDTECK provides are Anti-Passback (Hard), Duress Mode with Arm / Disarm Function, and a 2-Men Operation Key Element. Other Key Items including Alerting when the Door is Held Open and when the Door is Forced Open. In addition, another stable feature that IDTECK is known for is the Watchdog Function. This function is useful in the time when an electri-

cal feedback is detected; the board will automatically restart the system and protect it from being damaged.

The iTDC Series consists of two different models, iTDC and iTDC-SR. The functionality of the boards are the same, but the compatible Readers is different from each other. iTDC is able to accept 26Bit Wiegand Readers, while iTDC-SR is able to accept 34Bit Smart Card Readers. Ability to store dynamically up to 50,000 Registerable Users and up to 29,500 Transaction Events.

KEY FEATURES

- ❖ 2 ~ 4 Door Access Control Panel (Expandable up to 4 Doors with expansion boards, EIO88)
- ❖ Storage Capacity (Dynamic Buffer):
Up to 50,000 Users /
Up to 29,500 Event Buffers
- ❖ Anti-Passback (Hard / Zone)
- ❖ Duress Mode, Arm / Disarm Function, 2-Men Operation
- ❖ Alerts when Door Held Open Time exceeds and Forced Door Open
- ❖ Automatic System Reset via Self-Diagnosis [Watchdog Function]
- ❖ 4 Reader Ports / 7 Input Ports / 7 Output Ports [With EIO88: 8 Input Ports / 8 Output Ports]
Total: iTDC + EIO88 = 4 Reader Ports / 15 Input Ports / 15 Output Ports
- ❖ Real-Time Monitoring of Access Door Status / User Access Status using Management Software
- ❖ Door Opening Time Configurable per ID
- ❖ 2-Status Input Check (On / Off)
- ❖ Designed to withstand ESD (Electro Static Discharge) Shock
- ❖ Compatible Software: IDTECK STANDARD, IDTECK TIME PRO



SPECIFICATIONS

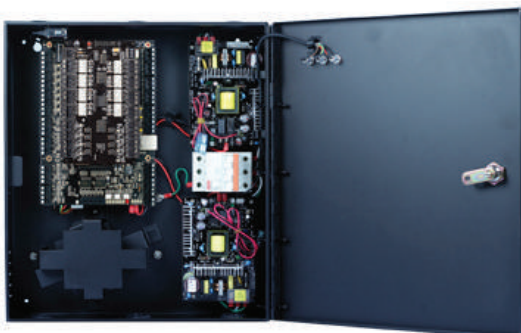
MODEL	iTDC	iTDC-SR
CPU	8 Bit Microprocessor	
Memory Program	64KByte ROM	
Memory Data	512KByte Flash Memory	
ID User	1,000 ~ 20,000 / 30,000 / 40,000 / 50,000 Users (Users and Event Buffer Definable)	
Event Buffer	29,500 ~ 20,000 / 15,000 / 10,000 / 5,000 Events	
Power / Current	DC 12V / Max. 500mA	
Reader Port	4 EA: 26 Bit Wiegand, 4/8 Bit Burst for PIN	4 EA: 34 Bit Wiegand, 4/8 Bit Burst for PIN
Communication	RS232 / RS422 / RS485 (Max. 32ch.), Ethernet (Internal Ethernet Module IIM 100 Required / Optional)	
Communication Speed	Serial	Default: 9,600bps Selectable: 4,800bps / 19,200bps / 38,400bps
	Ethernet	10/100Mbps (OPTIONAL / IIM100 LAN Module)
Input Port	7 EA: Exit Button #1, #2, Door Sensor #1, #2, AUX #1, #2, #3	
Output Port	4 EA: 2 FORM-C Relay Output (COM, NO, NC) / DC12V~18V, Rating Max. 2A	
	3 EA: TTL Output / DC 5V, Rating Max. 20mA	
LED Indicator	21 LED Indicators	
Beeper	Piezo Buzzer	
Operating Temperature	0 C ~ +65 C	
Operating Humidity	10% to 90% Relative Humidity, Non-Condensing	
Dimension (W x H x T)	145mm x 185mm x 18mm	
Weight	221g	
Certification	UL, FCC, CE, KCC, RoHS	

MODEL	EIO88
Input Port	8 Input Ports
Output Port	8 Output Ports

Optional Features	
LCD	Character LCD (2 Lines x 16 Char) 80 x 36 mm (3.15" x 1.41") Screen
Keypad	16 Numeric Keypad

Time Schedule			
Time Code	15	Holiday Code	10
Time Interval	5	Holiday	100

iTDC PACKAGE



iTDC Package - 1 (2 Doors)

iTDC / iTDC - SR Board	1EA
NEMA Case	1EA
Power Supply (ID40WA)	1EA
NFB Switch	1EA

iTDC Package - 2 (2 Doors - Ethernet TCP/IP)

iTDC / iTDC - SR Board	1EA
NEMA Case	1EA
Power Supply (ID40WA)	1EA
NFB Switch	1EA
Serial to Ethernet Module (IIM100)	1EA

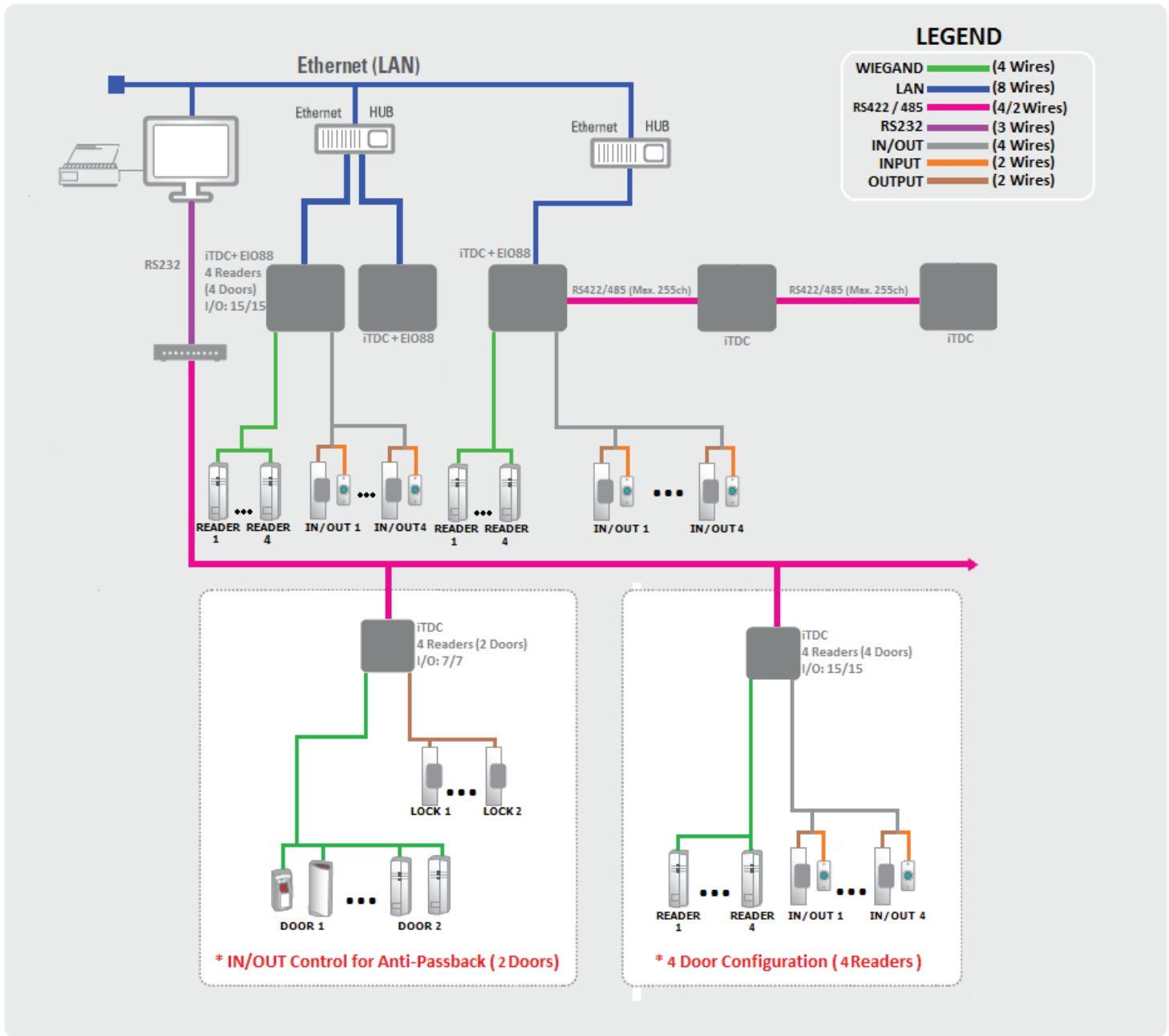
iTDC Package - 3 (3~4 Doors)

iTDC / iTDC - SR Board	1EA
EIO88	1EA
NEMA Case	1EA
Power Supply Board (ID40WA)	2EA
NFB Switch	1EA

iTDC Package - 4 (3~4 Doors - Ethernet TCP / IP)

iTDC / iTDC - SR Board	1EA
EIO88	1EA
NEMA Case	1EA
Power Supply Board (ID40WA)	2EA
NFB Switch	1EA
Serial to Ethernet Module (IIM100)	1EA

iTDC CONFIGURATION



Headquarters: IDTECK CO., Ltd.

5F, Ace Techno Tower Bldg, 468, Gangseo-Ro, Gangseo-gu, Seoul, 07573, Korea
Tel. +82-2-2659-0055 | Fax: +82-2-2659-0086
Email: sales@idteck.com | overseas@idteck.com | Website: www.idteck.com

North America: IDTECK Global Inc.

1555 Redondo Beach Blvd #100 Gardena, CA 90247
Tel. +1-310-819-8115
Email: sales@idteckglobal.com | Website: www.idteckglobal.com

The specifications contained in this catalog are subject to change without notice at any time. Copyright © IDTECK Co., Ltd.