

iCON100

ACCESS CONTROL PANEL (1 Door)

iCON100 is a single Door Access Control Panel designed for Small Installations and expandable to Midsize Solutions. It has various methods of communication ranging from RS232 to RS422, with optional TCP/IP Module, IIM100. It has the capability to accept either 26Bit Wiegand or 34Bit Wiegand depending on the client's requirements by a flick of a dipswitch. Also it has an extensive dynamic buffer to store up to 50,000 User IDs and up to 50,000 Transaction Events.

Some Key Features that the iCON100 provides are Anti-Passback (Hard), Duress Mode, and Arm/Disarm functionalities. Also will be able to receive Alerts for Door Held Open Events and Forced Door Open. iCON100 includes the Watchdog feature which is useful when there is an electrical feedback is detected; the board will automatically restart the system and protect it from being damaged.

KEY FEATURES

- ❖ Single Door Access Control Panel
- ❖ Storage Capacity (Dynamic Buffer):
Up to 50,000 Users /
Up to 50,000 Event Buffers
- ❖ Wiegand Selectable by Dipswitch:
26Bit Wiegand or 34Bit Wiegand
- ❖ Anti-Passback (Hard)
- ❖ Duress Mode, 2-Men Operation,
Arm / Disarm Function
- ❖ Alerts when Door Held Open Time
exceeds and Forced Door Open
- ❖ Automatic System Reset via
Self-Diagnosis (Watchdog Function)
- ❖ 2 Reader Ports / 5 Input Ports /
4 Output Ports
- ❖ On-Board RS232 / RS422 /
Ethernet (Optional) Communication
- ❖ 3-Status Input Check (On / Off / Cut)
- ❖ Designed to withstand ESD
(Electrostatic Discharge) Shock
- ❖ Compatible Software:
IDTECK STANDARD
IDTECK TIME PRO



SPECIFICATIONS

MODEL		iCON100
CPU		8 Bit Microprocessor
Memory	Program	128KByte ROM
Memory	Data	1MByte Flash Memory
ID User		1,000 ~ 50,000 Users (Default Setting: 10,000)
Event Buffer		1,000 ~ 50,000 Events (Default Setting: 50,000)
Power / Current		DC 12V / Max. 200mA
Reader Port		2 EA: 26/34 Bit Wiegand, 4/8 Bit Burst for PIN (26 Bit Wiegand, 34 Bit Wiegand Selectable by Dipswitch)
Communication		RS232 / RS422 (Max. 32ch.), Ethernet (Internal Ethernet Module IIM 100 Required / Optional)
Communication Speed	Serial	Default: 9,600bps Selectable: 4,800bps / 19,200bps / 38,400bps / 57,600bps / 115,200bps
	Ethernet	10/100Mbps (OPTIONAL / IIM100 LAN Module)
Input Port		5 EA: Exit Button, Door Sensor, AUX #1, AUX #2, AUX #3
Output Port		2 EA: 2 FORM-C Relay Output (COM, NO, NC) / DC12V~18V, Rating Max. 2A
		2 EA: TTL Output / DC 5V, Rating Max. 20mA
LED Indicator		16 LED Indicators
Beeper		Piezo Buzzer
Operating Temperature		0° C ~ + 65° C
Operating Humidity		10% to 90% Relative Humidity, Non-Condensing
Dimension (W x H x T)		137mm x 137mm x 18mm
Weight		170g
Certification		UL, FCC, CE, KCC, RoHS
		Optional Features
LCD		Character LCD (2 Lines x 16 Char) 80 x 36 mm (3.15" x 1.41") Screen
Keypad		16 Numeric Keypad

iCON100 PACKAGE



iCON100 Package - 1 (1 Doors)

iCON100 Board	1EA
NEMA Case	1EA
Power Supply (ID40WA)	1EA
NFB Switch	1EA

- * Dimension (W x H x T) : 350 x 399 x 100mm / Thickness : 1.4mm
- * Color : Black *Fireproofed Surface / Air Vents : 4 EA_Right 2 / Left 2
- * LED Indicator : PWR[1 EA_Red], RX[1 EA_Yellow], TX[1 EA_Green]
- * **Embedded LED Indicator for Power located on the External Side of the Nema Case**

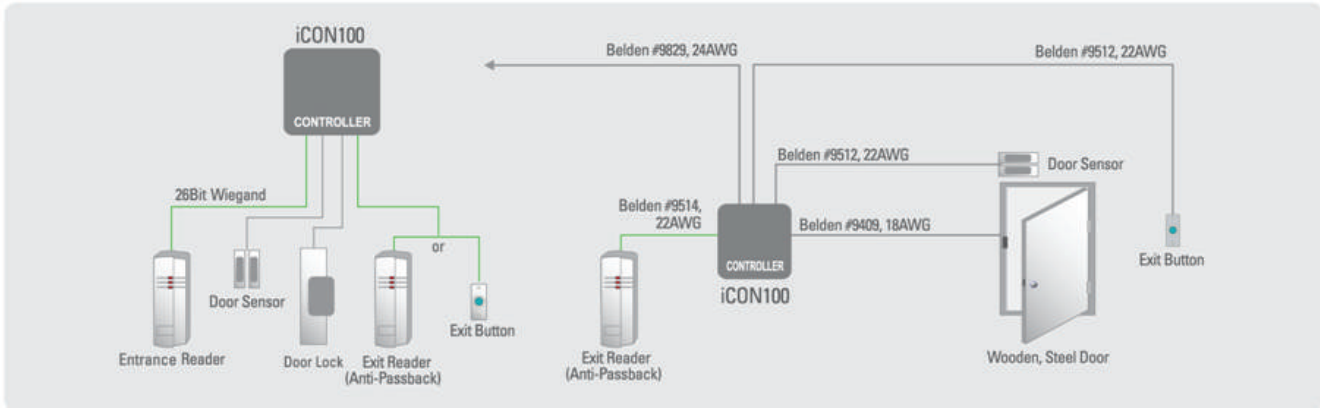
iCON100 Package - 2 (1 Door - Ethernet TCP/IP)

iCON100 Board	1EA
NEMA Case	1EA
Power Supply (ID40WA)	1EA
NFB Switch	1EA
Serial to Ethernet Module (IIM100)	1EA

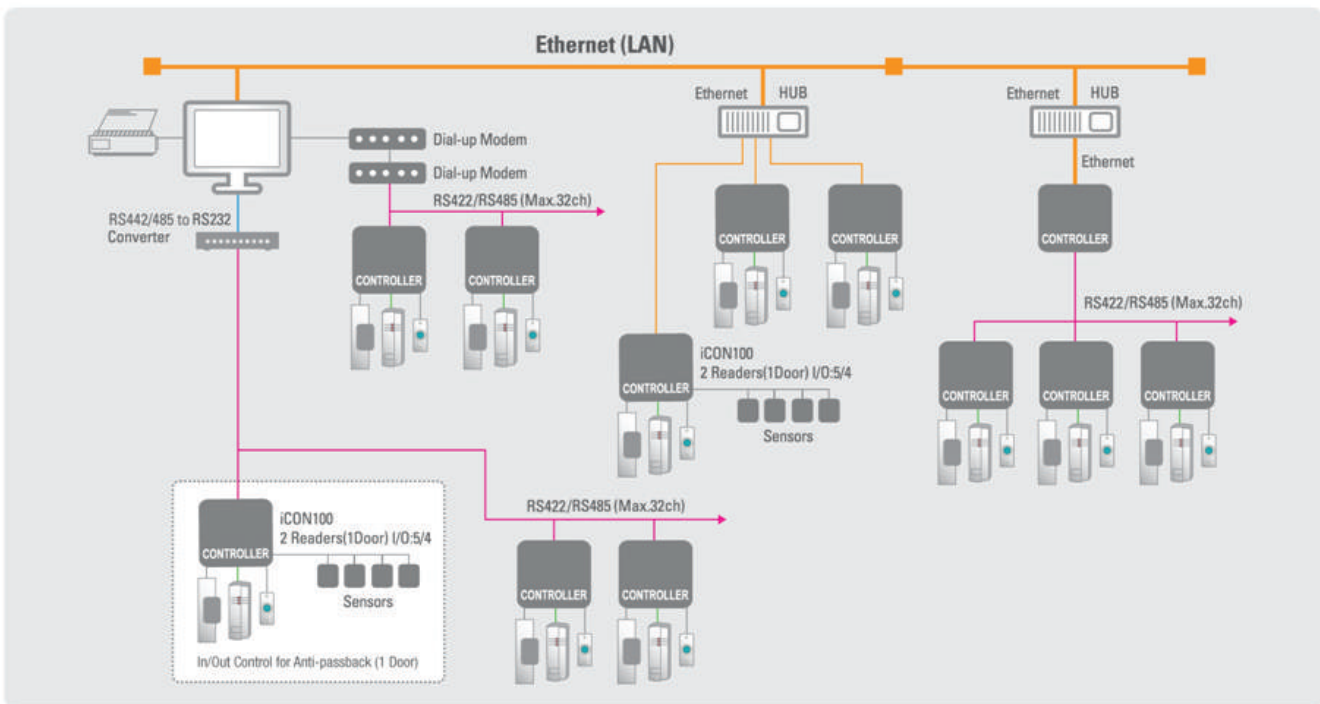
- * Dimension (W x H x T) : 350 x 399 x 100mm / Thickness : 1.4mm
- * Color : Black *Fireproofed Surface / Air Vents : 4 EA_Right 2 / Left 2
- * LED Indicator : PWR[1 EA_Red], RX[1 EA_Yellow], TX[1 EA_Green]
- * **Embedded LED Indicator for Power located on the External Side of the Nema Case**

iCON100 CONFIGURATION

· Standalone Configuration



· Network Configuration



Headquarters: IDTECK CO., Ltd.

5F, Ace Techno Tower Bldg, 468, Gangseo-Ro, Gangseo-gu, Seoul, 07573, Korea
Tel. +82-2-2659-0055 | Fax: +82-2-2659-0086
Email: local@idteck.com | overseas@idteck.com | Website: www.idteck.com

North America: IDTECK Global Inc.

1555 Redondo Beach Blvd #100 Gardena, CA 90247
Tel. +1-310-819-8115
Email: sales@idteckglobal.com | Website: www.idteckglobal.com

The specifications contained in this catalog are subject to change without notice at any time. Copyright © IDTECK Co., Ltd.