

Proximity Standalone Controller (RFID)

- Up to 512 Registerable Users
- Outdoor Installation (IP66 / IK06)
- Device Information and Operation Status display via Nine LED and Buzzer



RFL200 Series

Easy Installation
Standalone Access
Controller

Proximity Standalone Controller (RFID)

RFL200 Series



Key Features

- Professional Access Controller
- Door Lock Type Selectable (Power Fail Safe / Power Fail Secure)
- Device Information and Operation Status Display via Nine LED and Buzzer
- Available for Outdoor Installation (Epoxy Molding / Outdoor Capacity: IP66 / IK06)
- Registerable Users: Up to 512 Users
- **RFL200 / IP-RFL200** - Standalone / Non-Network Access Controller (RFID)
- **RFL200C / IP-RFL200C** - Standalone / Network Access Controller (RFID) / RS485 Communication
 - User Registration, Deletion and Device Setting Using the Management Software
 - Compatible Software: RFL200C Pro

-
- **RFL200**: 125KHz (PSK Format / IDC Type): RF Card
 - **IP-RFL200**: 125KHz (ASK[EM] Format): RF Card
 - **RFL200C**: 125KHz (PSK Format / IDC Type): RF Card
 - **IP-RFL200C**: 125KHz (ASK[EM] Format): RF Card

Proximity Standalone Controller (RFID)

RFL200 Series



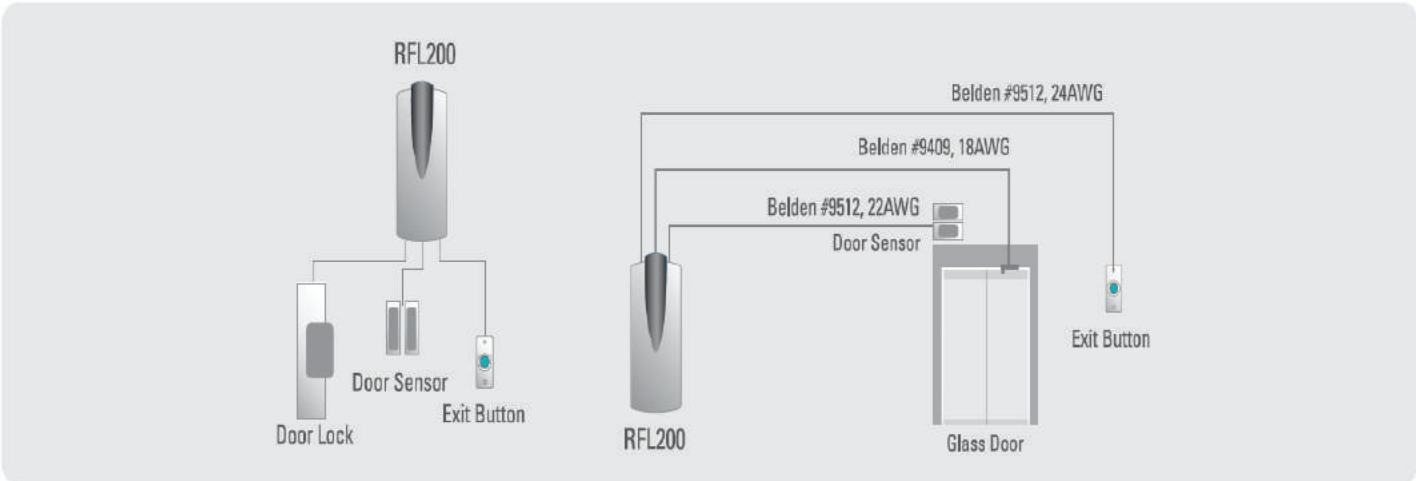
Specifications

Model		RFL200 / IP-RFL200	RFL200C / IP-RFL200C
CPU		Dual 8 Bit Microprocessor	
Memory	Program	64KByte Flash ROM	
	Data	4KByte EEPROM	
Reading Range		IDC80/IDC170: Up to 4 Inch(10cm)	
Reading Time (Card)		30ms	
ID Users / Event Buffers		512 Users (Includes 1 Master Card)	512 Users / 256 Events
Power / Current		DC 12V / Max.150mA	
Communication		N/A	RS485 (Max. 255ch) TCP/IP (External LAN Converter required)
Baud Rate		N/A	9,6000bps, 10/100Mbps
Input Format		3ea (Exit Button, Door Sensor, Lock Type Select (Power Fail Safe / Power Fail Secure))	3ea (Exit Button, Door Sensor, Aux#1)
Output Format		2 EA (TR Output / DC 12V~18V, Rating Max. 2A, Lock Output)	
LED Indicator		9 Array LED Indicators (Red, and Green)	
Buzzer		Piezo Buzzer	
Operating Temperature		Controller: -20°C ~ +70°C (-4°F ~ +158°F) RF Reader: -40°C ~ +70°C (-40°F ~ +158°F)	
Operating Humidity		10% ~ 90% Relative Humidity, Non - Condensing	
Color / Material		Dark Pearl Gray / Polycarbonate	
Dimension (W x H x T)		45 x 124 x 19.64mm (1.77" x 4.88" x 0.77")	
Weight		80g (0.18 lbs)	
Certification		FCC, CE, MIC, RoHs	

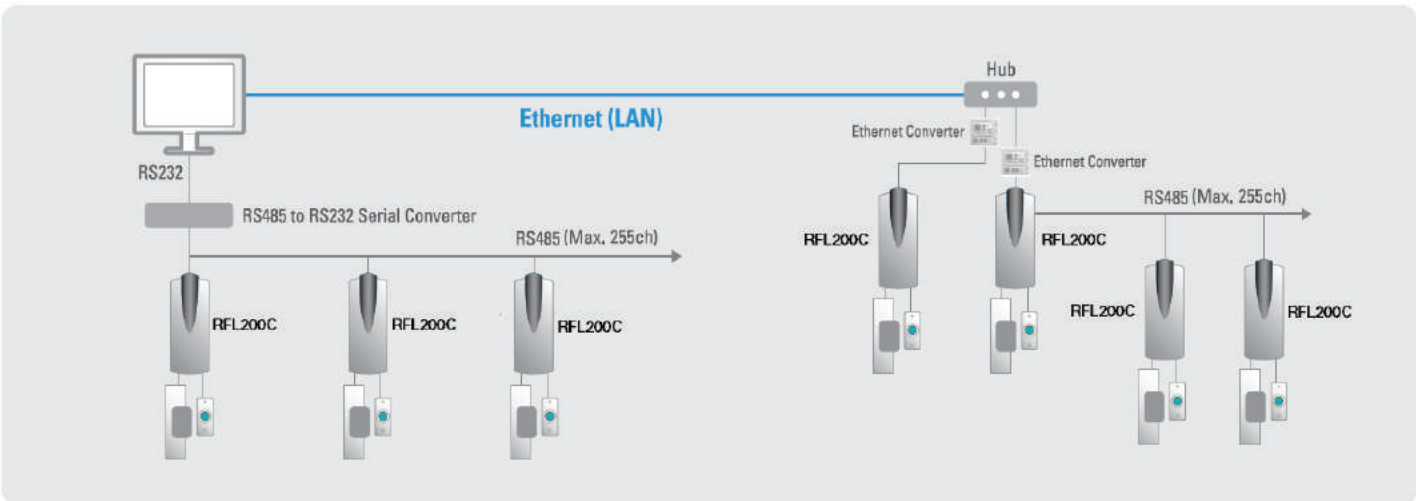
Proximity Standalone Controller (RFID)

RFL200 Series

Standalone Configuration (RFL200 / IP-RFL200)



Network Configuration (RFL200C / IP-RFL200C)



Headquarters: IDTECK CO., Ltd.

5F, Ace Techno Tower Bldg, 468, Gangseo-Ro, Gangseo-gu, Seoul, 07573, Korea
Tel. +82-2-2659-0055 | Fax: +82-2-2659-0086
Email: local@idteck.com | overseas@idteck.com | Website: www.idteck.com

North America: IDTECK Global Inc.

1555 W. Redondo Beach Blvd #100 Gardena, CA 90247
Tel. +1-310-819-8115
Email: sales@idteckglobal.com | Website: www.idteckglobal.com

The specifications contained in this catalog are subject to change without notice at any time. Copyright © IDTECK Co., Ltd.

IDTECK
Your Security Partner