

# IP Based RFID Time & Attendance / Access Controller

- ▲ Communication / Ethernet RS485 / RS232
- ▲ User / Event Buffers: 20,000 Users / 20,000 Events
- ▲ Various Function Keys for Multiple Shifts (Overtime, Breaktime, etc.)
- ▲ Built-in Encrypted PSK 125KHz (LX505) / 13.56 MHz (LX505SR)
- ▲ Configurable Authentication Mode per ID



## LX505 Series

Comfortable & Easy Interface  
RFID Standalone  
Network Controller  
(RFID / PIN)



# IP Based RFID Time & Attendance / Access Controller

## LX505 Series



### Key Features

- Professional Time & Attendance / Access Controller
- Standalone Device with Internally Embedded Controller
- Standalone Operation without PC/Server Connection
- Graphic LCD Applied for Multi-Language Display and Voice Guide in Various Languages
- Able to Check Stored Event List through the LCD display
- 12 Function Keys for Various Professional Time & Attendance (Multi-Shift, Overtime, Breaktime, etc.)
- User's Name and Function Key Definition Display
- Communication via Ethernet, RS485, or RS232
- User / Event Buffers: Up to 20,000 Users / Up to 20,000 Events
- Automatic System Reset via Self-Diagnosis (Watchdog Function)
- Anti-Passback Function / Duress Mode / 2 Men-Operation Function
- Arm/Disarm Function
- Alerts when Door Opening Time Exceeds and Forced Door Open
- Serial Printer Port for Issuing Event Ticket
- Advanced Security Time Schedule Configuration
- Configurable Setting per ID  
(Time Schedule, Card Usage (Authentication Mode), Expiration Date, Accessible Reader, Door Opening Time, etc.)
- Allows Registration of 10 Administrators using Fingerprints
- 3-State Supervised Input (On/Off/Cut)
- Designed to Withstand ESD (Electro Static Discharge) Shock
- Firmware Upgrade via Remote Control
- Supports 26Bit Wiegand Output Port (to use as a Reader) (LX505)  
34Bit Wiegand Output Port (to use as a Reader)(LX505SR)
- Compatible Software : IDTECK STANDARD, TIME PRO, TIME BASIC

- 
- **LX505**: 125KHz (PSK Format / IDC Type): RF (PIN) or RF (PIN)+Password
  - **IP-LX505**: 125KHz (ASK[EM] Format) RF(PIN)or RF (PIN)+Password
  - **LX505SR**: 13.56MHz (MIFARE®, ISO14443 Type A) SMART Card (PIN) or SMART Card (PIN)+Password
  - **LX505SRS**: 13.56MHz SMART Card Reader IDTECK Credential Format

# IP Based RFID Time & Attendance / Access Controller

## LX505 Series



### Specifications

Model		LX505	LX505SR
CPU		Dual 8Bit and 16Bit Microprocessor	
Memory Module		Program: 256KB ROM / Data: 512KB Flash Memory	
ID User		10,000 / 20,000 Users (Including Fingerprint Registration)	
Event Buffer		20,000 / 10,000 Event Buffers (Selectable)	
Radio Frequency		125KHz Encrypted PSK Format	13.56MHz (MIFARE®, ISO14443 Type A) SMART Card
Read Range		IDC80/IDC170: Up to 4 Inch (10cm)	ISC80: Up to 10cm / IHC80: Up to 5cm
Reading Time (Card)		30ms	
Power / Current		DC 12V / Max. 550mA	
External Reader Port		1ea: 26bit Wiegand, 4/8bit Burst for PIN for Anti-Passback	1ea: 34bit Wiegand, 4/8bit Burst for PIN for Anti-Passback
Communication		Ethernet, RS485(Max. 32ch), RS232	
Communication Speed	Serial	Default: 57,600bps Selectable: 9,600bps / 19,200bps / 38,400bps	
	Ethernet	10/100Mbps	
Input Port		4 Ports: Exit Button, Door Sensor, Aux#1, Aux#2	
Output Port		2 Ports: 2 FORM-C Relay Output (COM, NO, NC) / DC12V~18V, Rating Max. 2A	
		2 Ports: 26bit Wiegand Output Supported by TTL Output	
		Can be used in 26 Bit Wiegand, using the 2TTL Outputs	Can be used in 34 Bit Wiegand, using the 2TTL Outputs
Language	LCD Display	Default: English, Chinese, Spanish, Arabic, Korean Optional: French, Italian, Russian, Deutsch, Thai	
	Voice Output		
LED Indicator		3 Array LED Indicators	
Beeper		Piezo Buzzer	
LCD		Graphic LCD (128 x 64 dots) 72.5mm x 39.5mm (2.85" x 1.56") Screen	
Keypad		24 Key Numeric Keypad with Back Lighting (12 Function Key Included)	
Operating Temperature	LCD	0°C ~ +50°C (+32°F ~ +122°F)	
	Controller	-15°C ~ +70°C (+5°F ~ +158°F)	
	RF Reader	-35°C ~ +65°C (-31°F ~ +149°F)	
Operating Humidity		10% ~ 90% Relative Humidity, Non - Condensing	
Color / Material		Black / Polycarbonate	
Dimension (W x H x T)		192 x 160 x 45mm (7.6" x 6.3" x 1.8")	
Weight		750g (1.7 lbs)	
Certification		FCC, CE, KCC, RoHs	
Compatible Software		IDTECK STANDARD, IDTECK TIME PRO, IDTECK TIME BASIC	

### Time Schedule

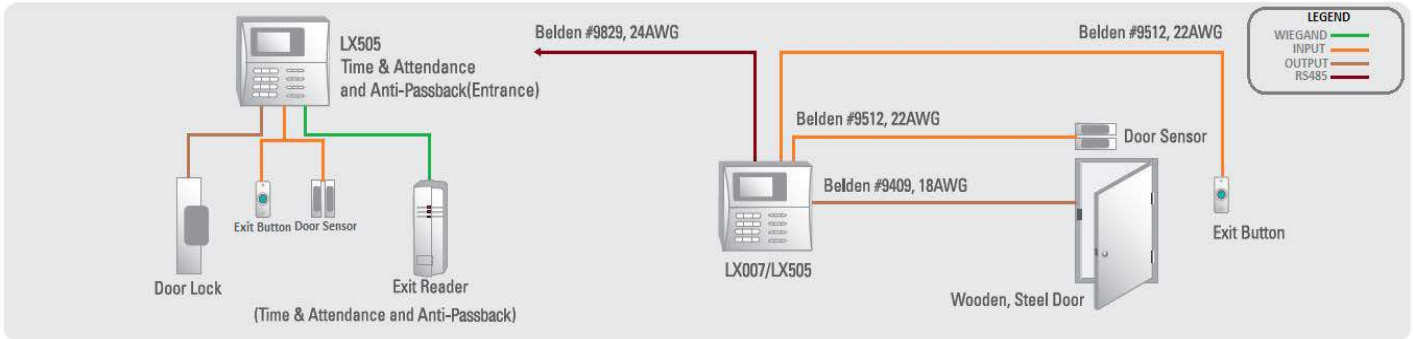
Time Code	10	Holiday Code	10
Time Interval	5	Holiday	100

# IP Based RFID Time & Attendance / Access Controller

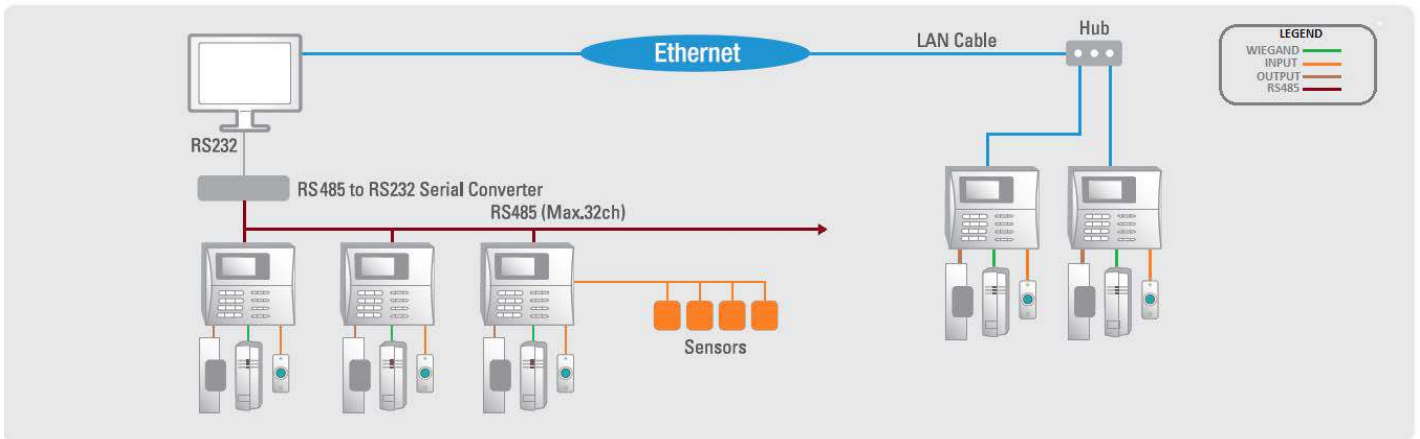
# LX505 Series

## Standalone Configuration

### LX505 Standalone Operation



### LX505 Network Operation



Headquarters: IDTECK CO., Ltd.

5F, Ace Techno Tower Bldg, 468, Gangseo-Ro, Gangseo-gu, Seoul, 07573, Korea  
 Tel. +82-2-2659-0055 | Fax: +82-2-2659-0086  
 Email: local@idteck.com | overseas@idteck.com | Website: www.idteck.com

North America: IDTECK Global Inc.

1555 Redondo Beach Blvd #100 Gardena, CA 90247  
 Tel. +1-310-819-8115  
 Email: sales@idteckglobal.com | Website: www.idteckglobal.com

**IDTECK**  
 Your Security Partner