

OUTDOOR PASSIVE INFRARED DETECTOR

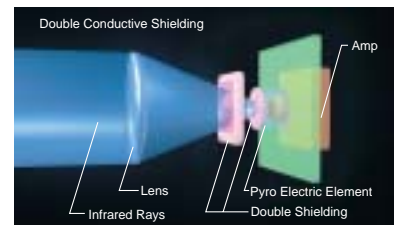
LX-402/802N

(120° Wide) (Long Range Narrow)



The robust and weatherproof LX-402/802 detector, purpose built expressly to offer protection for numerous outdoor applications

- LX-402/802N provide superior protection, with high reliability against water and insects which required as most important performance for outdoor use detector.
- Ingenious interior design simplifies wiring and makes for tighter sealing.
- Attractive design matches residential decor.
- Patented double conductive shielding can resist more than 50,000 lux of sunlight, eliminating false alarms from light sources.

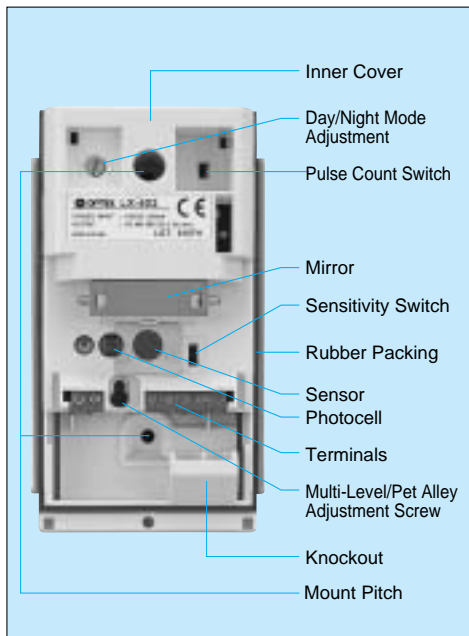


■ Patented Double Conductive Shielding

The Double Shielding lets infrared energy pass through, but blocks out visible light and RFI since it features a special conductive filter that covers the element window.

OUTDOOR PASSIVE INFRARED DETECTOR

LX-402/802N



FEATURES

HIGH-QUALITY DETECTION PERFORMANCE

Selectable Detection Patterns (Multi or Pet Alley)

Multi-level or Pet Alley detection patterns can be selected by sliding the printed circuit board and flipping the mirror. Changing the vertical detection area allows the detector to match the site conditions.

Area Masking Strips (LX-402 only)

Unwanted detection areas can be easily eliminated by attaching the supplied masking strips.

Selectable Sensitivity (High, Mid, Low)

Test Mode is selected when conducting a Walk Test, or for use in extremely stable environments.

Day & Night Mode

Adjust the Day/Night Mode switch according to the brightness of the surrounding environment.

Form C Relay Output

QUICK AND EASY INSTALLATION

Easy Wiring

The LX-402/802N has 2 wiring holes, allowing smooth wiring with one wire per hole, and enabling easy installation. In addition to the simplified wiring process, use of the supplied weatherproof sponge makes for tighter sealing than with conventional products.

APPLICATIONS

Activation of CCD camera, light, siren and/or other devices.

Front and/or backyard alongside fences, garage/parking lots, delivery door, etc.

OPTIONS

CA-1W: Multi-Angle Wall Mount Bracket

Horizontally: $\pm 45^\circ$
Vertically: 0 to 20° Downward

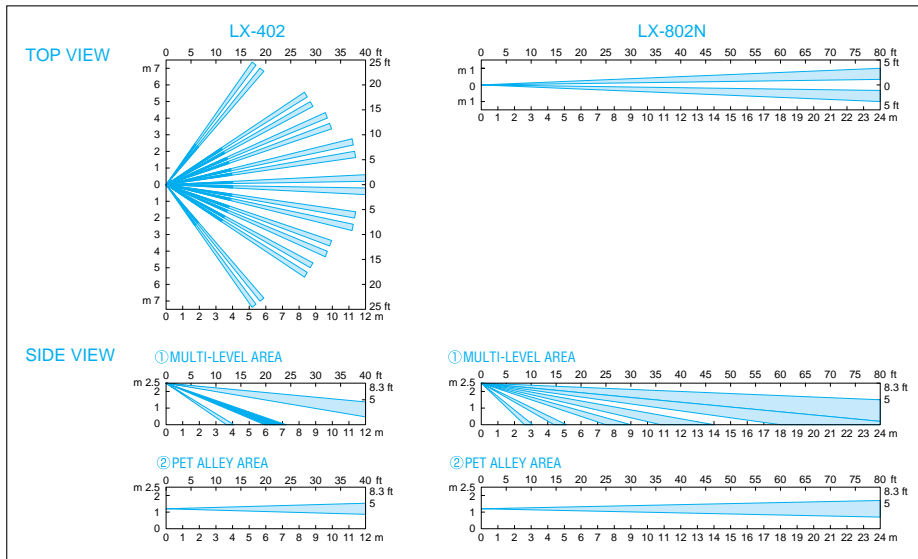
CA-2C: Ceiling Mount Bracket

Horizontally: $\pm 45^\circ$
Vertically: 0 to 20° Downward

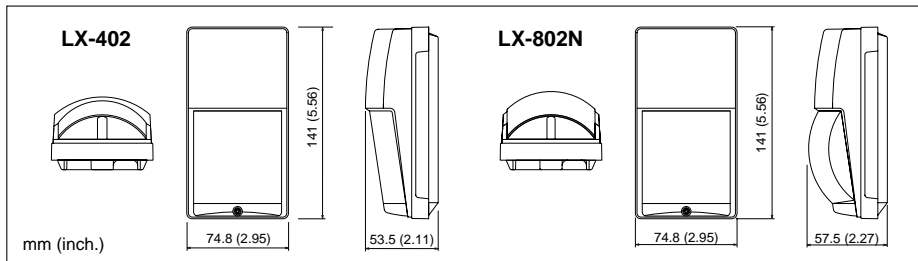
SPECIFICATION

Model	LX-402	LX-802N
Detection method	Passive Infrared	
Detection area	12m x 15m (40 ft. x 50 ft.) 120° wide	24m x 2m (80 ft. x 6.6 ft.) long range
Coverage	Multi-level area	40 zones
	Pet alley area	12 zones
Mounting	Multi-level area	18 zones
	Pet alley area	4 zones
Detection speed	2.5m/sec. (8.3 ft./sec.)	
Detection speed	0.3 - 1.0 m/sec. (1 - 3.3 ft./sec.)	
Sensitivity adjustment	Selectable 3 position (H, M, L)	
LED indicator	LED lights during detection	
Alarm period	2 \pm 1 sec. (delay timer)	
Alarm output	NC. NO. 28V DC 0.2A max.	
Tamper switch	Opens when cover removed.	
Pulse count	2 (20 \pm 5 sec.) or TEST (1 pulse)	
Day/night mode adjustment	Approx. 10 to 100,000 lux	
Warm-up period	Approx. 60 sec.	
Power input	10.8 - 13.2V DC	
Current draw	25mA max.	
Installation place	Wall (indoor/outdoor)	
Operating temperature	-20°C to +50°C (-4°F to +122°F)	
Environmental humidity	95% max.	
Weight	170g (6.0oz.)	190g (6.8oz.)
IP rating	IP 54	
Accessory	Masking strips (LX-402 only), mounting screw, sponge	

DETECTION PATTERNS



DIMENSIONS



* Specifications and design are subject to change without prior notice.

NOTE: This unit is designed to detect movement of an intruder and activate an alarm control panel. Being only part of a complete alarm system, we cannot accept responsibility for any damages or other consequences resulting from an intrusion.



OPTEX CO., LTD. (ISO 9001 Certified by LRQA)
4-7-5 Nionohama Otsu Shiga, 520-0801 Japan
TEL (077) 524-6047 FAX (077) 522-9022
<http://www.optex.co.jp/e>

OPTEX INCORPORATED
1845W. 205th Street Torrance, CA 90501-1510 U.S.A.
TEL (310) 533-1500 FAX (310) 533-5910
<http://www.optexamerica.com>

OPTEX (EUROPE) LTD. (ISO 9002 Certified by NQA)
Clivernon Road, Cordwallis Park, Maidenhead, Berkshire, SL6 7BU U.K.
TEL (01628) 631000 FAX (01628) 636311
<http://www.optexeurope.com>



"Take Care of the Environment"
OPTEX uses 100% recycled paper