

IP Based Fingerprint Identification (Fingerprint / RFID / PIN) Time & Attendance / Access Controller

- ▲ Communication: Ethernet, RS485, RS232
- ▲ User / Event Buffers: 20,000 Users / 20,000 Events
- ▲ Various Function Keys for Multiple Shifts (Overtime, Breaktime, etc)
- ▲ Built-in Encrypted PSK 125 KHz (LX007SR)/ 13.56 MHz (LX007SR)
- ▲ Configurable Authentication Mode per ID



LX007 Series

Versatile Interface
Fingerprint Standalone
Network Controller
(Fingerprint/PIN/RFID)



Fingerprint Standalone Controller

LX007 Series



Key Features

- Professional Time & Attendance / Access Controller
- Built in Encrypted 125 KHz Reader (LX007), 13.56 MHz Reader (LX007)
- Standalone Device with Internally Embedded Controller
- Standalone Operation without PC/Server Connection
- Graphic LCD Applied for Multi-Language Display and Voice Guide in Various Languages
- Able to check stored event list through the LCD display
- 12 Function Keys for Various Professional Time & Attendance Applications (Shift Management, Overtime, Breaktime, etc.)
- User's Name and Function Key Definition Display
- Communication via Ethernet RS485 / RS232
- User / Event Buffers Up to 20,000 Users / Up to 20,000 Events
- Automatic System Reset via Self-Diagnosis (Watchdog Function)
- Anti-Passback Function / Duress Mode / 2 Men-Operation Function
- Arm/Disarm Function
- Alerts when Door Opening Time Exceeds and Forced Door Open
- Serial Printer Port for Issuing Event Ticket
- Advanced Security Time Schedule Configuration
- Configurable Setting per ID (Time Schedule, Card Usage (Authentication Mode), Expiration Date, Accessible Reader, Door Opening Time, etc.)
- Allows Registration of 10 Administrators using Fingerprints
- 3-State Supervised Input (On/Off/Cut)
- Designed to Withstand ESD (Electro Static Discharge) Shock
- Firmware Upgrade via Remote Control
- Supports 26Bit Wiegand Output Port (to use as a Reader) (LX007) 34 Bit, (LX007SR) Wiegand Output Port (to use as a Reader)
- Compatible Software : IDTECK STANDARD, TIME PRO, TIME BASIC

-
- **LX007**: 125KHz (PSK Format/IDC Type): RF (Fingerprint), RF+Password/Fingerprint, or RF+Password+Fingerprint
 - **IP-LX007**: 125KHz (ASK [EM]Format) RF(PIN/Fingerprint), RF(PIN)+Password/Fingerprint, or RF(PIN)+Password+Fingerprint
 - **LX007SR**: 13.56MHz (MIFARE, ISO14443 Type A) SMART Card(PIN/Fingerprint), SMART Card(PIN)+Password/Fingerprint, or SMART Card (PIN)+Password+Fingerprint
 - **LX007SRS**: 13.56MHz SMART Card Reader IDTECK Credential Format

Fingerprint Standalone Controller

LX007 Series



Specifications

Model		LX007	LX007SR
CPU		32bit ARM9, 8bit and 16bit Microprocessor	
Memory Module	Fingerprint Module	Program	128KByte ROM, 8M Byte SDRAM
		Data	2MByte / 2 +MByte Flash Memory
	Controller	Program	256KByte ROM, 512 Byte SDRAM
		Data	512 KByte Flash Memory
Fingerprint User		1,000 / 4,000 Users	
ID User		10,000 / 20,000 Users (Including Fingerprinting Registration)	
Event Buffer		10,000 ~20,000 Events (Selectable)	
Fingerprint Templates Size		800Bytes for 2 Fingerprint Templates	
Read Range		IDC80/IDC170: Up to 4 Inch (10cm)	IHC80: Up to 5cm / ISC80: Up to 10cm
Reading Time (Card)		30ms	
Verification Time (Card)		Less than 1 sec.	
Identification Time (Card)		Less than 2 sec.	
Power / Current		DC 12V / Max. 650mA	
External Reader Port		1 EA: 26bit Wiegand, 4/8bit Burst for PIN for Anti-Passback	1 EA: 34bit Wiegand, 4/8bit Burst for PIN for Anti-Passback
Communication		RS232 / RS485 (Max. 32ch), Ethernet	
Communication	Serial	57,600 bps (Default) / 9,600 bps / 19,200 bps / 38,400 bps (Selectable)	
Speed	Ethernet	10/100 Mbps	
Input Port		4 EA: Exit Button, Door Sensor, AUX#1, AUX#2	
Output Port		2 EA: 2 FORM-C Relay Output (COM, NO, NC) / DC 12V~18V, Rating Max. 2A	
		2 EA: TTL Output / DC5V, Rating Max. 20mA	
		Can be used in 26 Bit Wiegand, using the 2TTL Outputs	Can be used in 34 Bit Wiegand, using the 2TTL Outputs
LED Indicator / LCD		3 Array LED Indicators / Graphic LCD (128 x 64 dots) 72.5 x 39.5mm Screen	
Buzzer		Piezo Buzzer	
Keypad		24 Key Numeric Keypad with Back Lighting (12 Function Key included)	
Operating Temperature		Fingerprint Module: -15°C ~ +40°C (5°F ~ 104°F) / LCD: 0°C ~ +50°C (+32°F ~ +122°F) Controller: -15°C ~ +70°C (+5°F ~ +158°F) / RF Reader: -35°C ~ +65°C (-31°F ~ +149°F)	
Operating Humidity		10% ~ 90% Relative Humidity, Non - Condensing	
Color / Material		Black / Polycarbonate	
Dimension (W x H x T) / Weight		192 x 160 x 45mm (7.6" x 6.3" x 1.8") / 800g(1.8 lbs)	
Certification		FCC, CE, KCC, RoHs	

Fingerprint Module Specification

Resolution	500 dpi
Capture Image Size / Extract Image Size	640 x 480 pixels / 260 x 300 pixels
Sensor Area / Scanner	15 x 18.5mm / High Quality Optical Sensor
FAR / FRR	0.001% / 0.1%
ESD Tolerance	±8KV

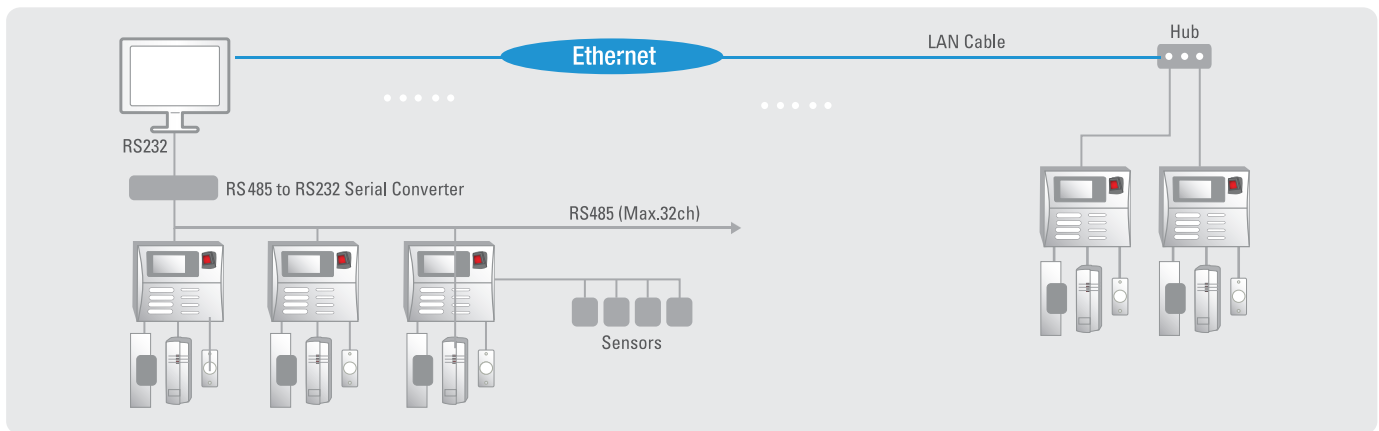
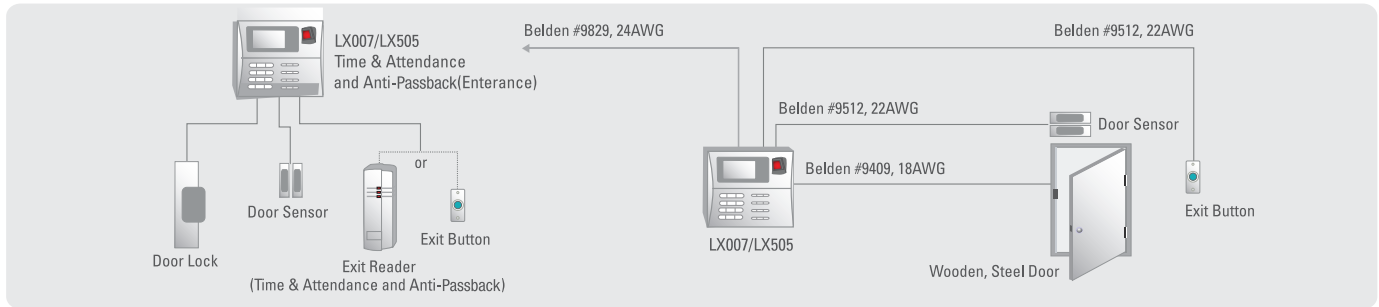
Time Schedule

Time Code	10	Holiday Code	10
Time Interval	5	Holiday	100

Fingerprint Standalone Controller

LX007 Series

Standalone Configuration



Headquarters: IDTECK CO., Ltd.

5F, Ace Techno Tower Bldg, 468, Gangseo-Ro, Gangseo-gu, Seoul, 07573, Korea
Tel. +82-2-2659-0055 | Fax: +82-2-2659-0086
Email: local@idteck.com | overseas@idteck.com | Website: www.idteck.com

North America: IDTECK Global Inc.

1555 Redondo Beach Blvd #100 Gardena, CA 90247
Tel. +1-310-819-8115
Email: sales@idteckglobal.com | Website: www.idteckglobal.com

The specifications contained in this catalog are subject to change without notice at any time. Copyright © IDTECK Co., Ltd.

IDTECK
Your Security Partner