

Fingerprint Identification Proximity Reader

- 1:1 Verification and 1:N Identification
- ID Only Function for Unregisterable Personnel
- Various Identification Methods (Card and Fingerprint Combination)
- Voice Guide and Multi-Language Support
- Communication: RS232, RS485, Ethernet



LX006 Series

Versatile Interface
Fingerprint RF Reader
(Fingerprint / RFID)

Fingerprint Identification Proximity Reader **LX006 Series**



Key Features

- Built-in Encrypted 125KHz Reader (LX006), 13.56MHz Reader (LX006SR, LX006SRS, LX006SRB)
- Operation Mode (RF, RF+Fingerprint) Switches over Automatically According to the Time Schedule configured on the Controller
- User Registration and Deletion using Master Card
- Fingerprint Registration: 1,000 / 2,000 / 4,000 Users
- Identification Method: 125KHz: RF Only, Fingerprint Only, RF + Fingerprint
13.56MHz: SMART Card Only, Fingerprint Only, SMART Card + Fingerprint
- Designed to Withstand ESD (Electro Static Discharge) Shock
- Voice Guide Output and Multi-Language Support
- Tamper Switch (1EA)
- Reverse Polarity Protection
- Various Communication Methods: RS232, RS422, Ethernet (Optional)
- Supervisory Signal Transmission for Device Operation Status Check (Optional)

* LX006SRB

- Identifies Card that has been issued by PRG2000B Card Programmer (ID and Fingerprint Template Encrypted into Smart Card)
- Maintains High Security as the Card cannot be Duplicated without Data Sector and Secure Key Information
- Protects User Privacy as Encrypted Fingerprint Information is Stored in User's Card (Fingerprint Information is not Stored in the Device or Database)

-
- **LX006:** 125KHz (PSK Format / IDC Type): RF (FP) Only or RF + Fingerprint
 - **LX006SR:** 13.56MHz (MIFARE[®], ISO14443 Type A) SMART Card (FP) Only or SMART Card + Fingerprint
 - **LX006SRS:** 13.56MHz SMART Card Reader [IDTECK Credential Format]
 - **LX006SRB:** Encrypted Fingerprint Information is Stored in User's SMART Card (Card Registered with PRG2000B Programmer Kit)

Fingerprint Identification Proximity Reader **LX006 Series**



Specifications

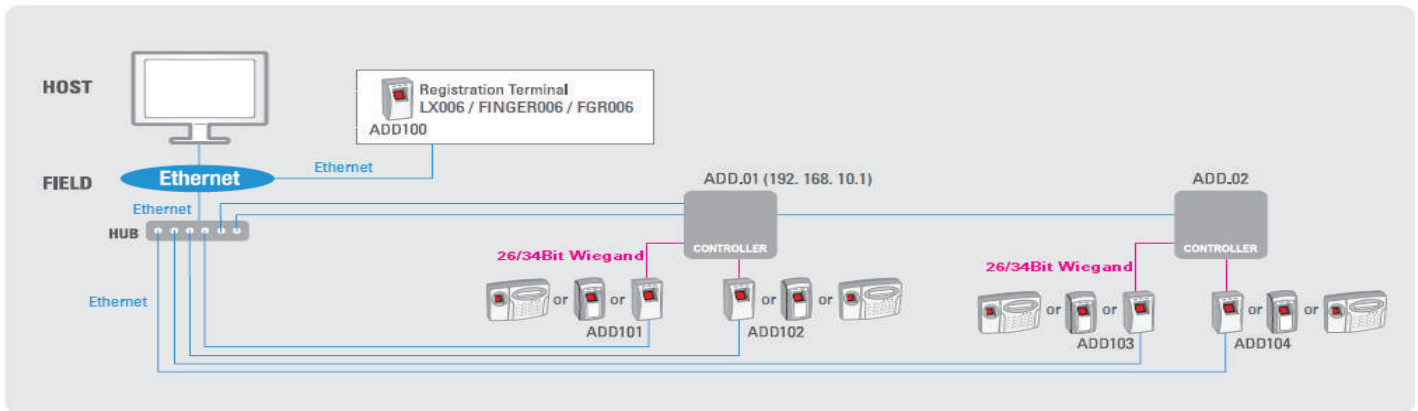
Model		LX006	LX006SR / LX006SRS	LX006SRB
CPU		32 Bit ARM9 and Dual 8Bit Microprocessor		
Memory	Fingerprint Module	Program Memory: 1MByte Flash Memory Data Memory: 1MByte / 2MByte / 4MByte Flash Memory		
	Controller	Program Memory: 128KByte Flash Memory Data Memory: 256KByte Flash Memory / 32KByte SDRAM		
User IDs / Fingerprint Registration		10,000 Users IDs / 1,000 / 2,000 / 4,000 Fingerprint		Unlimited Fingerprint Users (Dependent on # of IDs registerable to Controller)
Fingerprint Template Size		800Bytes for 2 Fingerprint Templates		
Read Range		IDC80 / IDC170: Up to 4 Inch (10cm)	ISC80: Up to 10cm IHC80: Up to 5cm	Recognizes Cards Issued by PRG2000B
Reading Time (Card)		30ms		
Verification Time		Less than 1 sec		
Identification Time		Less than 2 sec		
Power / Current		DC 12V / Max. 290mA	DC 12V / Max. 310mA	
External Reader Port		1 EA: 26bit Wiegand, 4/8bit Burst for PIN for Anti-Passback	1 EA: 34bit Wiegand, 4/8bit Burst for PIN for Anti-Passback	1 EA: 26bit Wiegand, 4/8bit Burst for PIN for Anti-Passback
Communication		RS232 / RS485 (Max.32ch), Ethernet		
Communication Speed	Serial	Default: 57,600bps Selectable: 9,600 bps / 19,200bps / 38,400bps		
	Ethernet	10 / 100Mbps		
Input Port		2 EA: Error-Input, OK-Input		
Output Port		3 EA: Error-Output, OK-Output, Tamper-Output (Open Collector)		
Output Type		26Bit Wiegand (Default), ABA Track II (Optional)	34Bit Wiegand (Default), ABA Track II (Optional)	26Bit Wiegand
Voice Output		Basic: English, Korean, Chinese, Spanish, Arabic Selectable: French, Italian, Russian, German, Thai		
LED Indicator		7 LED Indicators		
Buzzer		Piezo Buzzer		
LCD		Character LCD (2 Lines x 16 Char) 65.6 x 13.8mm (2.62" x 0.55") Screen		
Operating Temperature		Fingerprint Module: -15°C ~ +40°C	RF Reader: -35°C ~ +65°C	
Operating Humidity		10% ~ 90% Relative Humidity, Non - Condensing		
Color / Material		Black / Polycarbonate		
Dimension (W x H x T)		69mm x 127mm x 43mm (2.72" x 5" x 1.69")		
Weight		230g (0.51LBs)		
Certification		FCC, CE, KCC, RoHs		

Fingerprint Module Specifications

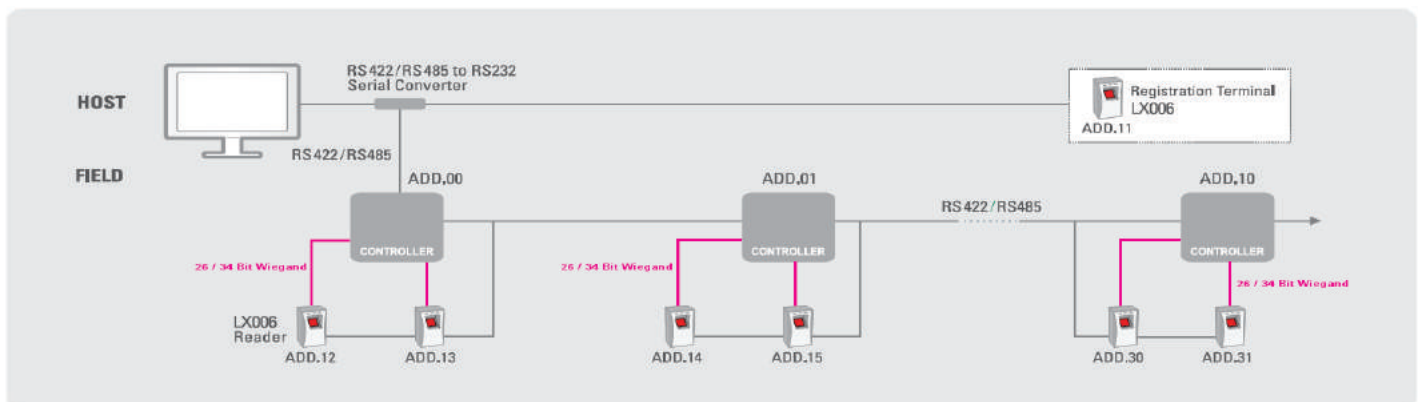
Resolution / Capture Image Size / Extract Image Size	500 dpi / 640 x 480 pixels / 260 x 300 pixels
Sensor Area / Scanner	15 x 18.5mm / High Quality Optical Scanner
FAR / FRR	0.001% / 0.1% / ±8 KV
ESD Tolerance	±8 KV

Fingerprint Identification Proximity Reader **LX006 Series**

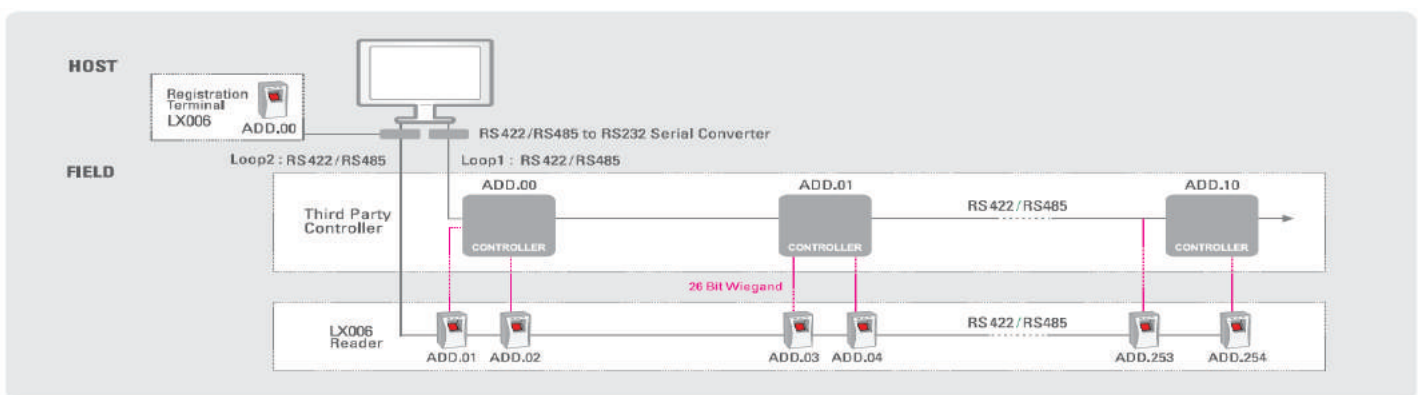
Ethernet Communication Configuration



Serial Communication Configuration



3rd Party Controller with FGR006 Configuration



Headquarters: IDTECK CO., Ltd.

5F, Ace Techno Tower Bldg, 468, Gangseo-Ro, Gangseo-gu, Seoul, 07573, Korea
Tel. +82-2-2659-0055 | Fax: +82-2-2659-0086
Email: sales@idteck.com | overseas@idteck.com | Website: www.idteck.com

North America: IDTECK Global Inc.

1555 W. Redondo Beach Blvd #100 Gardena, CA 90247
Tel. +1-310-819-8115
Email: sales@idteckglobal.com | Website: www.idteckglobal.com

The specifications contained in this catalog are subject to change without notice at any time. Copyright © IDTECK Co., Ltd.

IDTECK
Your Security Partner