

ASK [EM] Format
PIN & Proximity Single Door Access Controller

IP100R

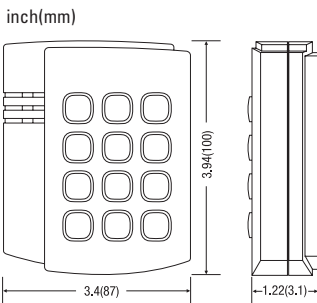


IP100R

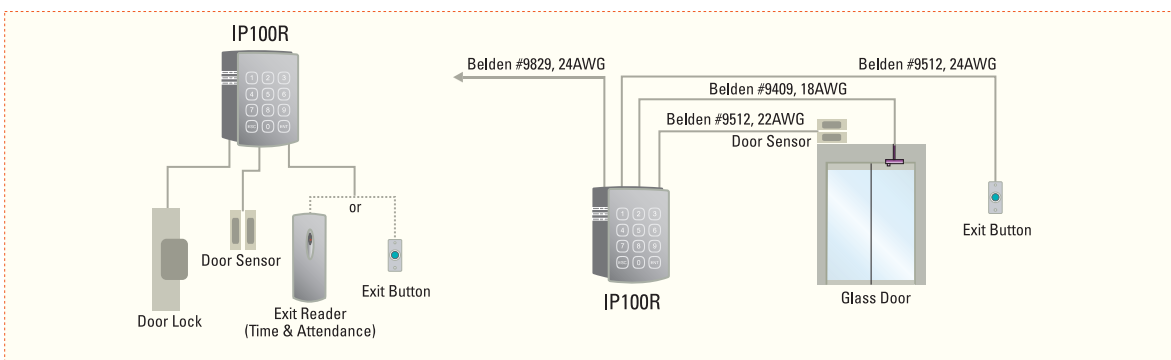


KEY Features

- 125KHz Standalone Proximity /PIN Single Door Access Controller
- ASK [EM] Format
- 512 Users
- Basic Time & Attendance Function
- 1ea of External Reader Port for Exit: 26bit Wiegand
- Standalone / Network Communication via RS232
- All I/Os and Operation Time programmable by Keypad
- Independent 5 Inputs and 4 Outputs including 2ea of 2 Form-C Relay Outputs
- Keypad Lock by Try-out Error Alarm Function
- Duress Alarm Function
- Toggle Mode for Door Opening / Closing
- Lock Control by Door Sensor
- Safe (default) / Secure Mode available
- Dual Tamper Switches
- Chime Bell Output
- 26bit Wiegand Output for Reader Mode
- Options: 4ch Voice Auto-dialer
- Compatible Software: STAR 100R PRO



Standalone Configuration





Specifications

Model	IP100R	
CPU	Dual 8bit Microprocessor	
Memory	Program Memory	20KByte ROM
	Data Memory	2KByte EEPROM
User	512 Users	
Read Range	IPK50: Up to 2 inch (5cm) IPC80 / IPC170: Up to 4 inch (10cm)	
Reading Time (Card)	30ms.	
Power / Current	DC 12V / Max.200mA	
External Reader Port	1ea (26bit Wiegand)	
Communication	RS232	
Input Port	5ea (Exit Button, Door Sensor, Aux#1, Aux#2, Aux#3)	
Output Port	2ea (2 Form-C Relay Output (COM, NO, NC) / DC12~18V, Rating Max.2A)	
	1ea (Chime Bell Output / DC5V, Rating Max. 500mA)	
	1ea (TTL Output / DC5V, Rating Max.20mA)	
Keypad	12 Key Numeric Keypad with Back Lighting	
LED Indicator	3 Array LED Indicators (Red, Green and Yellow)	
Beeper	Piezo Buzzer	
Operating Temperature	-35° to +65° C (-31° to +149° F)	
Operating Humidity	10% to 90% relative humidity non-condensing	
Color	Dark Pearl Gray	
Material	Polycarbonate	
Dimension (W x H x T)	3.4" x 3.94" x 1.22" (87mm x 100mm x 31mm)	
Weight	210g (0.46lbs)	
Certification	UL, FCC, CE, MIC	

Expansion Configuration

