

Fingerprint Identification (Proximity / RFID) Reader

- 1:1 Verification and 1:N Identification
- ID Only Function for Unregisterable Personnel
- Various Identification Methods (Card, PIN, and Fingerprint Combination)
- Fingerprint Registration: 1,000 / 2,000 / 4,000
- Communication: RS232, RS422, Ethernet(Optional)



FINGER006 Series

Multi-Layered Security
Fingerprint RF Reader
(Fingerprint / RFID)

Fingerprint Identification (Proximity / PIN) Reader

FINGER006 Series



Key Features

- Built-in Encrypted 125KHz Reader (FINGER006, IP-FINGER006), 13.56MHz Reader (FINGER006SR, FINGER006SRB)
- Fingerprint Registration: 1,000 / 2,000 / 4,000 Users
- Identification Method: 125KHz: RF(PIN or Fingerprint), RF(PIN) + Password, RF(PIN) + Fingerprint, RF(PIN) + Password + Fingerprint
13.56MHz: SMART Card(PIN or Fingerprint), SMART Card(PIN) + Password, SMART Card(PIN) + Fingerprint, SMART Card(PIN) + Password + Fingerprint
- Designed to Withstand ESD (Electro Static Discharge) Shock
- Tamper Switch (2EA)
- Various Communication Methods: RS232, RS422, Ethernet (Optional)
- Time Display on LCD

* FINGER006SRB

- Identifies Card that has been issued by PRG2000B Card Programmer (ID and Fingerprint Template Encrypted into Smart Card)
- Maintains High Security as the Card cannot be Duplicated without Data Sector and Secure Key Information
- Protects User Privacy as Encrypted Fingerprint Information is Stored in User's Card (Fingerprint Information is not Stored in the Device or Database)

-
- **FINGER006:** 125KHz (PSK Format / IDC Type): RF(PIN) or RF(PIN) + Password
 - **IP-FINGER006:** 125KHz (ASK[EM] Format): RF(PIN) or RF(PIN) + Password
 - **FINGER006SR:** 13.56MHz (MIFARE[®], ISO14443 Type A) SMART Card (PIN) or SMART Card (PIN) + Password
 - **FINGER006SRB:** Encrypted Fingerprint Information is Stored in User's SMART Card (Card Registered with PRG2000B Programmer Kit)

Fingerprint Identification
(Proximity / PIN) Reader

FINGER006 Series

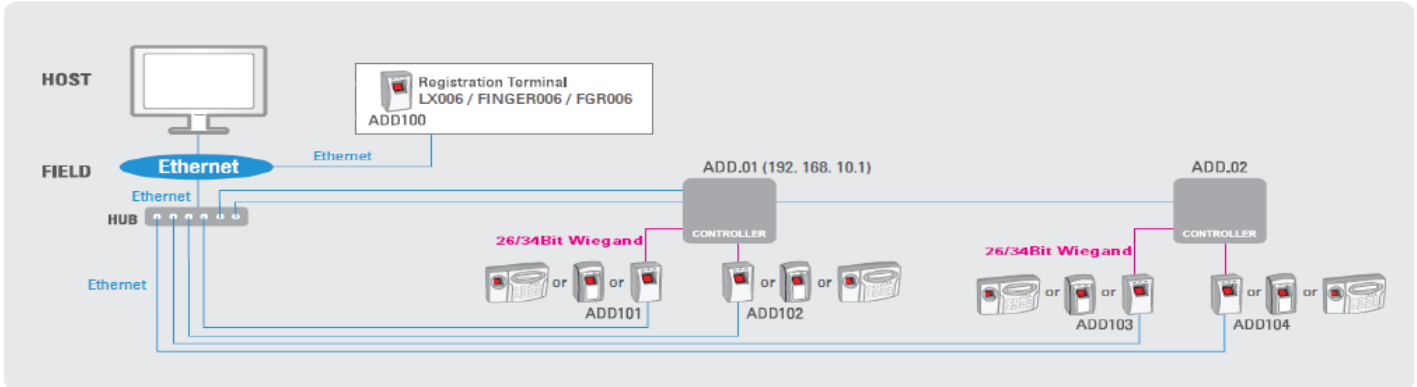


Specifications		FINGER006 / IP-FINGER006	FINGER006SR	FINGER006SRB
Model		FINGER006 / IP-FINGER006	FINGER006SR	FINGER006SRB
CPU		32 Bit ARM9 and Dual 8Bit Microprocessor		
Memory	Fingerprint Module	Program Memory: 1MByte Flash Memory Data Memory: 1MByte / 2MByte / 4MByte Flash Memory		
	Controller	Program Memory: 128KByte Flash Memory Data Memory: 1MByte Flash Memory		
Fingerprint User		1,000 / 2,000 / 4,000 Users		Unlimited Fingerprint Users (Dependent on # of IDs registerable to Controller)
Fingerprint Template Size		800Bytes for 2 Fingerprint Templates		
Read Range		FINGER006: IDC80 / IDC170: Up to 4 Inch (10cm) IP-FINGER006: IPC80 / IPC170: Up to 4 Inch (10cm)	ISC80: Up to 10cm IHC80: Up to 5cm	Recognizes Cards Issued by PRG2000B
Reading Time (Card)		30ms		
Verification Time		Less than 1 sec		
Identification Time		Less than 2 sec		
Power / Current		DC 12V / Max. 300mA		
External Reader Port		1 EA: 26bit Wiegand, 4/8bit Burst for PIN for Anti-Passback	1 EA: 34bit Wiegand, 4/8bit Burst for PIN for Anti-Passback	1 EA: 26bit Wiegand, 4/8bit Burst for PIN for Anti-Passback
Communication		RS232 / RS422 (Max.32ch), Ethernet (External Converter Required / Optional)		
Communication Speed	Serial	Default: 9,600bps Selectable: 19,200bps / 38,400bps / 57,600bps / 115,200bps		
	Ethernet	10 / 100Mbps		
Input Port		2 EA: Error-Input, OK-Input		
Output Port		3 EA: Error-Output, OK-Output, Tamper-Output (Open Collector)		
Output Type		26Bit Wiegand (Default), ABA Track II (Optional)	34Bit Wiegand (Default), ABA Track II (Optional)	26Bit Wiegand
LED Indicator		7 LED Indicators		
Buzzer		Piezo Buzzer		
LCD		Character LCD (2 Lines x 16 Char) 65.6 x 13.8mm (2.62" x 0.55") Screen		
Operating Temperature		Fingerprint Module: -20°C ~ +60°C		RF Reader: 0°C ~ +50°C
Operating Humidity		10% ~ 90% Relative Humidity, Non - Condensing		
Color / Material		Dark Pearl Gray / Polycarbonate		
Dimension (W x H x T)		161.5 x 134 x 48.5mm		
Weight		525g		
Certification		FCC, CE, KCC, RoHs		
Fingerprint Module Specifications				
Resolution / Capture Image Size / Extract Image Size		500 dpi / 640 x 480 pixels / 260 x 300 pixels		
Sensor Area / Scanner		15 x 18.5mm / High Quality Optical Scanner		
FAR / FRR / ESD Tolerance		0.001% / 0.1% / ±8 KV		

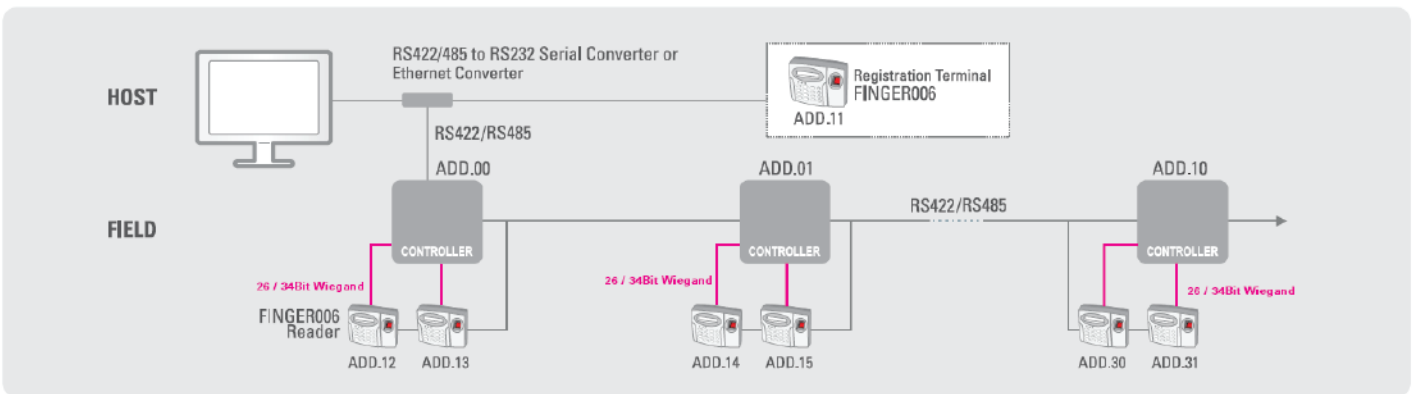
Fingerprint Identification (Proximity / PIN) Reader

FINGER006 Series

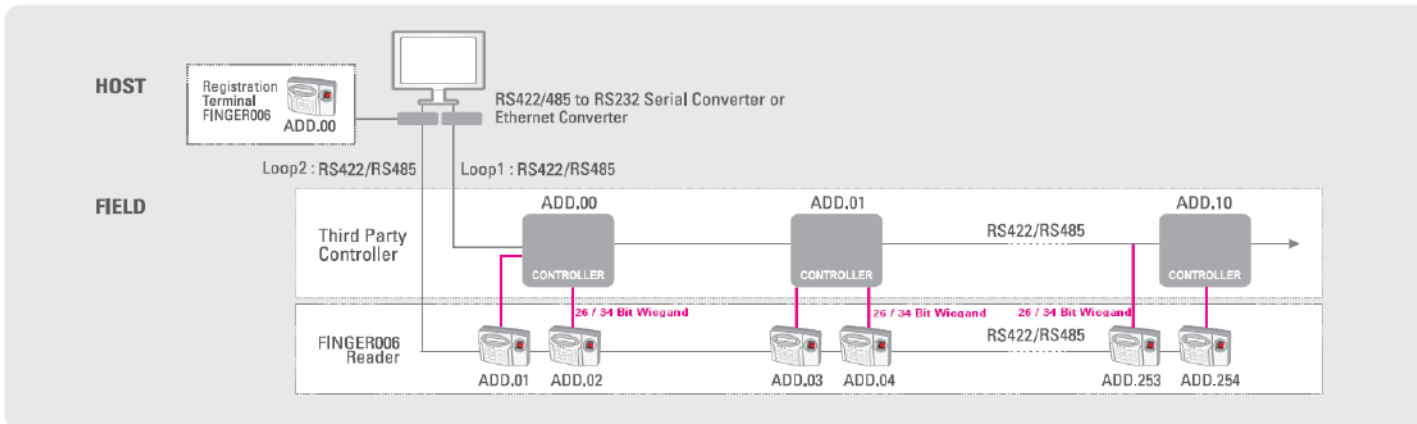
Ethernet Communication Configuration



Serial Communication Configuration



3rd Party Controller with FINGER006 Configuration



Headquarters: IDTECK CO., Ltd.

5F, Ace Techno Tower Bldg, 468, Gangseo-Ro, Gangseo-gu, Seoul, 07573, Korea
Tel. +82-2-2659-0055 | Fax: +82-2-2659-0086
Email: sales@idteck.com | overseas@idteck.com | Website: www.idteck.com

North America: IDTECK Global Inc.

1555 W. Redondo Beach Blvd #100 Gardena, CA 90247
Tel. +1-310-819-8115
Email: sales@idteckglobal.com | Website: www.idteckglobal.com

The specifications contained in this catalog are subject to change without notice at any time. Copyright © IDTECK Co., Ltd.

IDTECK
Your Security Partner