

ELEVATOR384

ACCESS CONTROL PANEL

ELEVATOR384 is IDTECK's Elevator Access Control Panel has the ability to control up to 384 Floors of a building (12 Floors per Controller, expandable up to 32 Controllers per Loop). Each Controller has the ability to store up to 50,000 User IDs and up to 20,000 Transaction Events. It has various methods of communication ranging from RS232 to RS422, with optional Ethernet Module, IIM100.

ELEVATOR384 will support up to 4 Key Panels per each Elevator. Also has the flexibility to select which format of Wiegand (26Bit or 34Bit) by utilizing the LCD/Keypad or from the Management Software. In a single location, there is the ability to integrate with the iTDC Access Control Panel, so there is a ability to monitor and control both Door Access and Elevator Access. The Controller has the Watchdog Feature to protect itself from electrical feedback by automatically restarting itself.

Key Features

- ❖ Controls up to 384 Floors
(12 Floors per Controller, Expandable
up to 32 Controllers per Loop)
- ❖ Supports up to 4 Key Panels per each Elevator
- ❖ 26/34 Bit Wiegand Selectable with LCD/Keypad or Management Software
- ❖ Up to 50,000 Registerable IDs / Up to 20,000 Event Buffers
- ❖ Allows Integration with iTDC Access Control Panel
- ❖ Real-Time Monitoring of Elevator Access and Alarm Status via Management Software
- ❖ Time Schedule setting by Floor or ID
- ❖ Designed to Withstand ESD (Electro Static Discharge) Shock
- ❖ Automatic System Reset via Self-Diagnosis (Watchdog Function)
- ❖ Compatible Software: IDTECK STANDARD



Specifications

| MODEL | Elevator384 | |
|-----------------------|---|---|
| CPU | 8 Bit Microprocessor | |
| Memory | Program | 64KByte ROM |
| Memory | Data | 512KByte Flash Memory |
| ID User | 20,000 ~ 50,000 Users (Users and Event Buffer Definable) | |
| Event Buffer | 3,000 ~ 20,000 Events | |
| Power / Current | DC 12V / Max. 400mA | |
| Reader Port | 4 EA: 26/34 Bit Wiegand, 4/8 Bit Burst for PIN | |
| Communication | RS232 / RS422 / RS485 (Max. 32ch.), Ethernet (Internal Ethernet Module IIM100 Required / Optional) | |
| Communication Speed | Serial | Default: 9,600bps Selectable: 4,800bps / 19,200bps / 38,400bps |
| | Ethernet | 10/100Mbps (Internal Ethernet Module IIM100 Required / Optional) |
| Output Port | 12 EA: 2 FORM-C Relay Output (COM, NO, NC) / DC12V~18V, Rating Max. 2A | |
| LED Indicator | 38 LED Indicators | |
| Beeper | Piezo Buzzer | |
| Operating Temperature | 0° C ~ +65° C | |
| Operating Humidity | 10% to 90% Relative Humidity, Non - Condensing | |
| Dimension (W x H x T) | 145mm x 185mm x 18mm | |
| Weight | 342g | |
| Certification | UL, FCC, CE, KCC, RoHS | |

Optional Features

| | | |
|--------|---|--|
| LCD | Character LCD (2 Lines x 16 Char) 80 x 36 mm (3.15" x 1.41") Screen | |
| Keypad | 16 Numeric Keypad | |

Time Schedule

| | | | |
|---------------|----|--------------|-----|
| Time Code | 15 | Holiday Code | 10 |
| Time Interval | 5 | Holiday | 100 |

ELEVATOR384 Packages



ELEVATOR384 Package - 1

| | |
|-----------------------|-----|
| ELEVATOR384 Board | 1EA |
| NEMA Case | 1EA |
| Power Supply (ID40WA) | 1EA |
| NFB Switch | 1EA |

- * Dimension (W x H x T) : 350 x 399 x 100mm /Thickness : 1.4mm
- * Color : Black *Fireproofed Surface / Air Vents : 4 EA_ Right 2 / Left 2
- * LED Indicator : PWR[1 EA_Red], RX[1 EA_Yellow], TX[1 EA_Green]
- * **Embedded LED Indicator for Power located on the External Side of the Nema Case.**

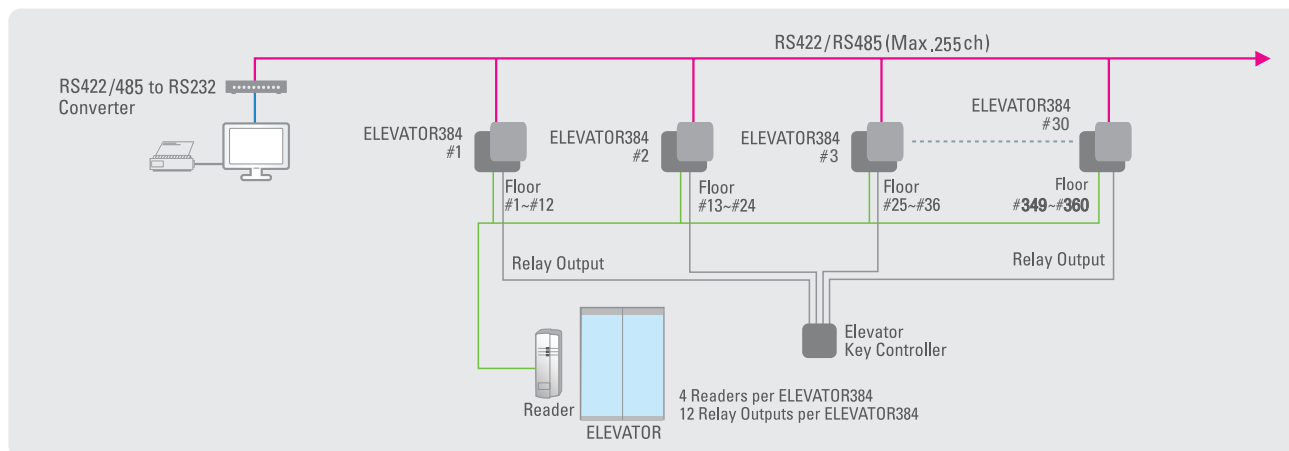


ELEVATOR384 Package - 2[Ethernet (TCP/IP)]

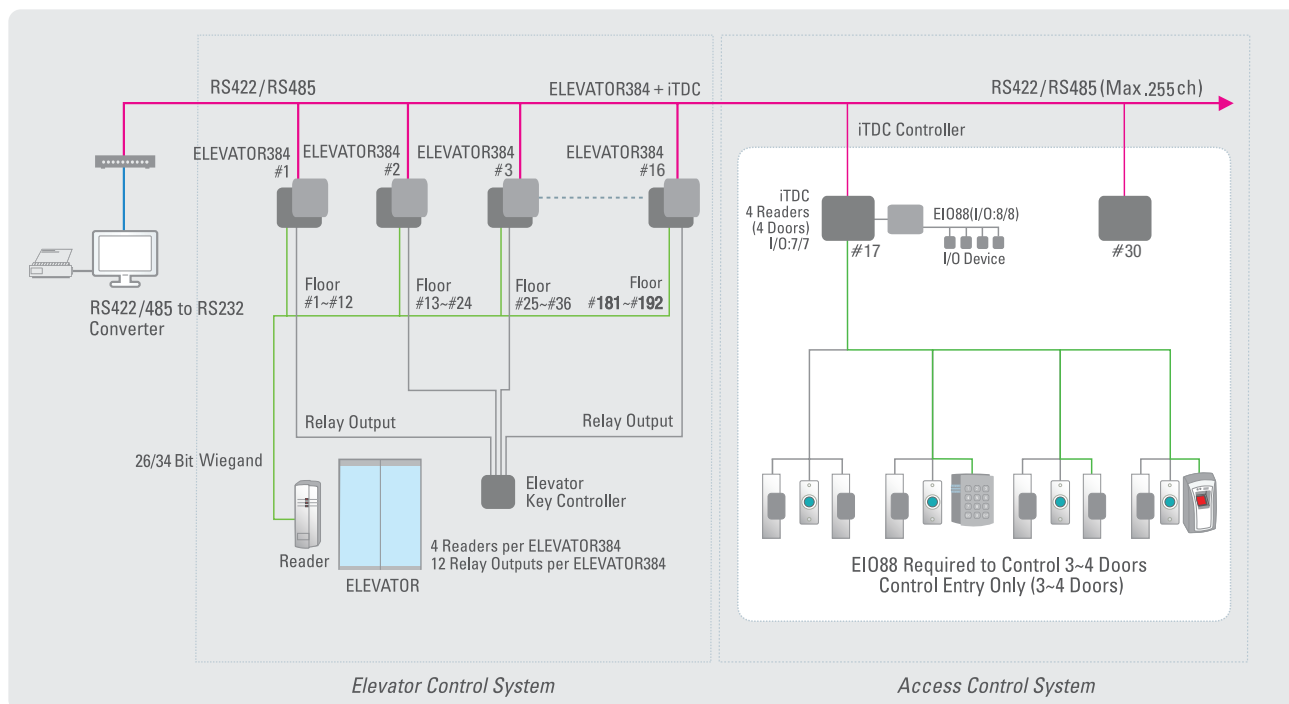
| | |
|----------------------------|-----|
| ELEVATOR384 Board | 1EA |
| NEMA Case | 1EA |
| Power Supply (ID40WA) | 1EA |
| NFB Switch | 1EA |
| Ethernet Module (IIM7100A) | 1EA |

- * Dimension (W x H x T) : 350 x 399 x 100mm /Thickness : 1.4mm
- * Color : Black *Fireproofed Surface / Air Vents : 4 EA_ Right 2 / Left 2
- * LED Indicator : PWR[1 EA_Red], RX[1 EA_Yellow], TX[1 EA_Green]
- * **Embedded LED Indicator for Power located on the External Side of the Nema Case.**

ELEVATOR384 Configuration



• **ELEVATOR384 + iTDC System Configuration**



Headquarters: IDTECK CO., Ltd.

5F, Ace Techno Tower Bldg, 468, Gangseo-Ro, Gangseo-gu, Seoul, 07573, Korea
Tel. +82-2-2659-0055 | Fax: +82-2-2659-0086
Email: local@idteck.com | overseas@idteck.com | Website: www.idteck.com

North America: IDTECK Global Inc.

1555 Redondo Beach Blvd #100 Gardena, CA 90247
Tel. +1-310-819-8115
Email: sales@idteckglobal.com | Website: www.idteckglobal.com

The specifications contained in this catalog are subject to change without notice at any time. Copyright © IDTECK Co., Ltd.