

# DS-7200HUHI-N1/HK SERIES TURBO HD DVR



## Features and Functions

### Video Input and Compression

- Connectable to HD-TVI, AHD, network and analog cameras;
- Supports HIKVISION-C protocol for connecting camera over coax;
- H.264+/H.264 video compression, and H.264+ ensures high video quality with lower bitrates;
- Channel-zero encoding;

### Video Output and Extranet Access

- Simultaneous HDMI, VGA and CVBS outputs. VGA output at up to 1920 × 1080/60Hz resolution.
- Up to 3MP encoding resolution;
- Manual video quality diagnostics;
- Supports access by Hik-connect Cloud P2P;
- Supports Hikvision DDNS (Dynamic Domain Name System);

### Video Recording and Storage

- One-key recording configurable;
- Redundant recording and holiday recording;
- Main stream and sub-stream parameters configurable for simultaneous recording;
- Supports locking and unlocking of video files;
- HDD quota; different capacity can be assigned to different cameras under quota mode;
- One SATA interface provided;

### Video Playback

- Instant playback for assigned camera during multi-channel live view mode;
- Up to 4-ch synchronous playback at 3MP resolution;
- Playback at up to 256X speed;
- Main stream and sub-stream selectable for local/remote playback;
- Playback by smart search and VCA search;
- Customization of tags, searching and playing back by tags;

### Alarm

- Alarm for video loss, motion detection, video tampering, etc.;
- Supports 2-ch VCA (line crossing detection, intrusion detection or audio exception detection);

### Physical Interfaces

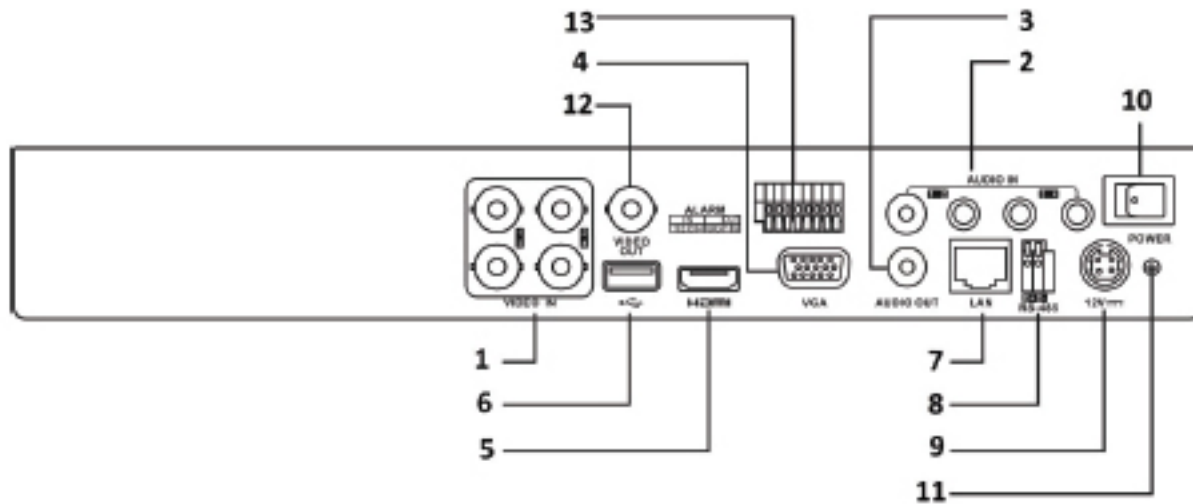
- One RJ45 10M/100Mbps self-adaptive network interface for DS-7204HUHI-N1/HK



## Specifications

Model	DS-7204HUHI-N1/HK	
Video/Audio input	Video compression	H.264+/H.264
	Video input	4-ch BNC interface (1.0Vp-p, 75 Ω), supporting coaxitron connection
	Supported HDTVI input	1080p/25Hz, 1080p/30Hz, 720p/25Hz, 720p/30Hz, 720P/50Hz, 720p/60Hz, 3MP
	Supported AHD input	720p/25Hz, 720p/30Hz
	CVBS input	Support
	IP video input	2-ch Up to 4.0 MP resolution
	Audio compression	G.711u
	Audio input	4-ch, RCA (2.0 Vp-p, 1 KΩ)
Video/Audio output	CVBS output	Support
	HDMI/VGA output	VGA: 1-ch, 1920 × 1080/60Hz, 1280 × 1024/60Hz, 1280 × 720/60Hz, 1024 × 768/60 Hz
		HDMI: 1-ch, 1920 × 1080/60Hz, 1280 × 1024/60Hz, 1280 × 720/60Hz, 1024 × 768/60 Hz
	Encoding resolution	3MP@15fps/1080p/720p/WD1/4CIF/VGA/CIF
	Frame rate	Main stream: 25 fps (P)/30 fps (N) Sub-stream: WD1/4CIF@12fps (non-real-time); CIF/QVGA/QCIF (real time)
	Video bit rate	32 Kbps to 10 Mbps
	Audio output	1-ch, RCA (Linear, 1 KΩ)
	Audio bit rate	64 Kbps
	Dual-stream	Support
Stream type	Video, Video & Audio	
Synchronous playback	4-ch	
Network management	Network protocols	TCP/IP, PPPoE, DHCP, Hik-connect Cloud P2P, DNS, DDNS, NTP, SADP, NFS, iSCSI, UPnP™, HTTPS, ONVIF
Hard disk	SATA	1 SATA interface
	Capacity	Up to 6TB capacity
External interface	Two-way audio input	1-ch, RCA (2.0 Vp-p, 1 KΩ) (using the audio input)
	Network interface	1, RJ45 10M/100M self-adaptive Ethernet interface
	USB interface	2 × USB 2.0
	Serial interface	1; RS-485 serial interface, half-duplex
	Alarm in/out	4/1
General	Power supply	12 VDC
	Consumption (without HDD)	≤ 15W
	Working temperature	-10 °C to +55 °C (14 °F to 131 °F)
	Working humidity	10% to 90%
	Dimensions (W × D × H)	315 × 242 × 45 mm (12.4 × 9.5 × 1.8 inch)
	Weight (without HDD)	≤ 1.5 kg (3.3 lb)

## Physical Interfaces



Index	Description	Index	Description
1	VIDEO IN	8	RS-485 Serial Interface
2	AUDIO IN, RCA Connector	9	12VDC Power Input
3	AUDIO OUT, RCA Connector	10	Power Switch
4	VGA Interface	11	GND
5	HDMI Interface	12	VIDEO OUT
6	USB Interface	13	Alarm in/out
7	LAN Network Interface		

## Available Models

DS-7204HUHI-N1/HK