

## RFID Standalone / Network Controller (RFID / PIN)

- Operation Mode Selectable according to User Environment
- ID Registration up to 50,000 Users / Event view to 50,000 Events
- Built-in Encrypted PSK 125KHz (505R) / 13.56MHz (SR505)
- Communication: RS232, RS422, Ethernet(Optional)



# 505R Series

Proximity / PIN  
Time & Attendance /  
Access Controller

# RFID Standalone / Network Controller (RFID / PIN)

# 505R



## Key Features

- Standalone Device with Internally Embedded Controller
- Standalone or Network Operation without Connection to the PC
- Registerable User IDs / Event Buffer: Up to 50,000 User IDs / Up to 50,000 Events
- Communication Method: RS232, RS422, Ethernet (Optional)
- Automatic System Reset via Self-Diagnosis (Watchdog Function)
- Anti-Passback / Duress Mode Function
- Alerts when Door Open Time Exceeds and Forced Door Open
- Operation Mode Selectable according to User Environment
- Tamper Switch (2EA)
- 3-Status Input Check (On / Off / Cut)
- Designed to Withstand ESD (Electro Static Discharge) Shock
- Compatible Software: IDTECK STANDARD  
IDTECK TIME PRO

- 
- 
- **505R**: 125KHz (PSK Format / IDC Type): RF(PIN) or RF(PIN) + Password
  - **IP-505R**: 125KHz (ASK[EM] Format): RF(PIN) or RF(PIN) + Password
  - **SR505**: 13.56MHz (MIFARE<sup>®</sup>, ISO14443 Type A) SMART Card (PIN) or SMART Card (PIN) + Password
  - **SR505S**: 13.56MHz SMART Card Reader (IDTECK Credential Format)
  - **SR505B**: Encrypted Fingerprint Information is Stored in User's SMART Card  
(Card Registered with PRG2000B Programmer Kit)

# RFID Standalone / Network Controller (RFID / PIN)

# 505R



## Specifications

Model		505R / IP-505R	SR505	SR505B
CPU		32 Bit ARM9 and Dual 8Bit Microprocessor		
Memory	Program	128KByte Flash Memory		
	Data	1MByte Flash Memory		
ID User / Event Buffer		10,000 ~ 50,000 Users / 10,000 ~ 50,000 Events		
Read Range		505R: IDC80 / IDC170: Up to 4 Inch (10cm) IP-505R: IPC80 / IPC170: Up to 4 Inch (10cm)	ISC80: Up to 10cm IHC80: Up to 5cm	
Reading Time (Card)		30ms		
Verification Time		Less than 1 sec		
Identification Time		Less than 2 sec		
Power / Current		DC 12V / Max. 300mA		
External Reader Port		1 EA: 26bit Wiegand, 4/8bit Burst for PIN for Anti-Passback	1 EA: 34bit Wiegand, 4/8bit Burst for PIN for Anti-Passback	1 EA: 26bit Wiegand, 4/8bit Burst for PIN for Anti-Passback
Communication		RS232 / RS422 (Max.32ch), Ethernet (External Converter Required / Optional)		
Communication Speed	Serial	Default: 9,600bps Selectable: 19,200bps / 38,400bps / 57,600bps / 115,200bps		
	Ethernet	10 / 100Mbps		
Input Port		4 EA: Exit Button, Door Sensor, Aux#1, Aux#2		
Output Port		2 EA: 2 FORM-C Relay Output (COM, NO, NC) / DC12V~18V, Rating Max. 2A		
		2 EA: TTL Output / DC5V, Rating Max. 20mA (Can be used in 26Bit Wiegand, using the 2TTL Outputs)	2 EA: TTL Output / DC5V, Rating Max. 20mA (Can be used in 34Bit Wiegand, using the 2TTL Outputs)	2 EA: TTL Output / DC5V, Rating Max. 20mA (Can be used in 26Bit Wiegand, using the 2TTL Outputs)
LED Indicator		7 LED Indicators		
Buzzer		Piezo Buzzer		
LCD		Character LCD (2 Lines x 16 Char) 65.6 x 13.8mm (2.62" x 0.55") Screen		
Operating Temperature		LCD: 0°C ~ +50°C	Controller: -15°C ~ +70°C	RF Reader: -35°C ~ +65°C
Operating Humidity		10% ~ 90% Relative Humidity, Non - Condensing		
Color / Material		Black / Polycarbonate		
Dimension (W x H x T)		161.5 x 134 x 48.5mm (6.4" x 5.3" x 1.9")		
Weight		525g (1.2 lbs)		
Certification		FCC, CE, KCC, RoHS		

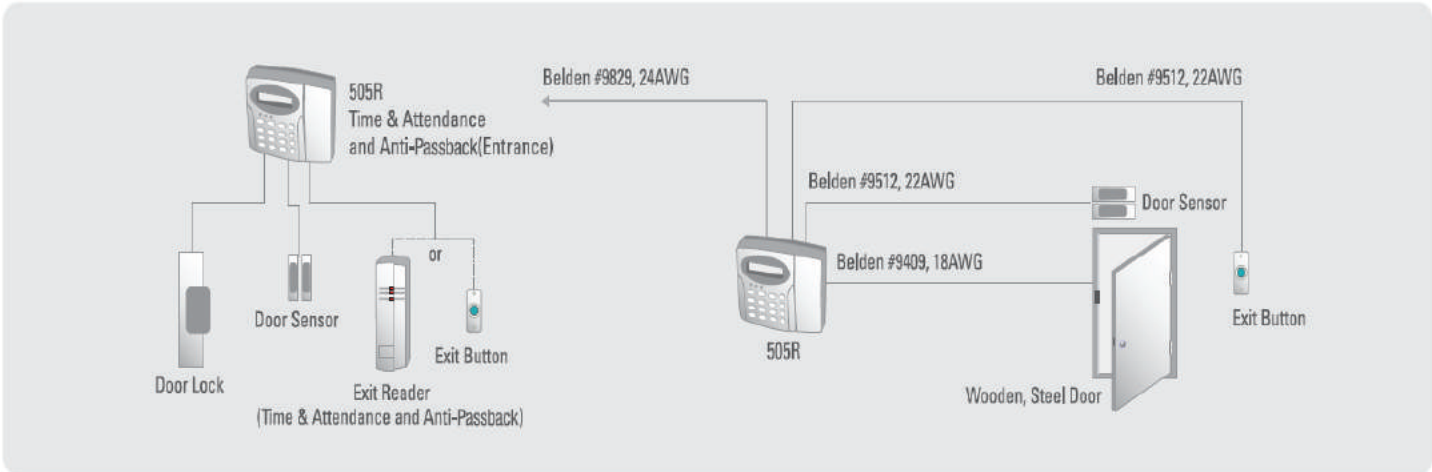
## Time Schedule

Time Code	10	Holiday Code	10
Time Interval	5	Holiday	100

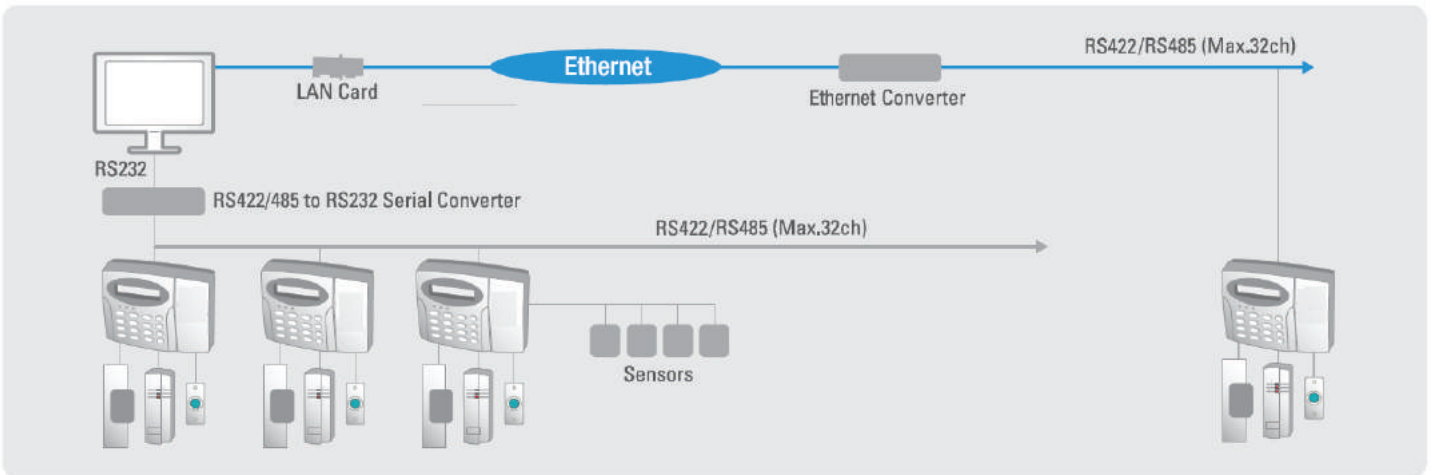
# RFID Standalone / Network Controller (RFID / PIN)

# 505R

## Standalone Configuration



## Network Configuration



Headquarters: IDTECK CO., Ltd.

5F, Ace Techno Tower Bldg, 468, Gangseo-Ro, Gangseo-gu, Seoul, 07573, Korea  
Tel. +82-2-2659-0055 | Fax: +82-2-2659-0086  
Email: local@idteck.com | overseas@idteck.com | Website: www.idteck.com

North America: IDTECK Global Inc.

1555 W. Redondo Beach Blvd #100 Gardena, CA 90247  
Tel. +1-310-819-8115  
Email: sales@idteckglobal.com | Website: www.idteckglobal.com

The specifications contained in this catalog are subject to change without notice at any time. Copyright © IDTECK Co., Ltd.

**IDTECK**  
Your Security Partner